



DATA RESEARCH BY AUTOMOTIVE HOBBYISTS

The enclosed research material was individually created and digitally printed for the specific customer who requested it and is intended for their exclusive, private and non-commercial use. This material is Copyright protected & is printed under license from the publisher and may not be transferred or redistributed in any way.

**[Click HERE to Visit ADOBE.COM](#)
for Viewing & Printing Tips**

AIR CONDITIONING

[Fig. 1: Automatic A/C Circuit \(1 of 3\)](#)

[Fig. 2: Automatic A/C Circuit \(2 of 3\)](#)

[Fig. 3: Automatic A/C Circuit \(3 of 3\)](#)

[Fig. 4: Auxiliary Heater Circuit](#)

[Fig. 5: Rear Heavy Duty Air Conditioning Circuit](#)

[Fig. 6: Roof Ventilator Circuit](#)

ANTI-LOCK BRAKES

[Fig. 7: Anti-lock Brakes Circuit](#)

ANTI-THEFT

[Fig. 8: Anti-theft Circuit](#)

BODY CONTROL MODULES

[Fig. 9: Body Computer Module Circuit](#)

[Fig. 10: Programmable Special Module Circuit](#)

COMPUTER DATA LINES

[Fig. 11: Computer Data Lines Circuit \(1 of 2\)](#)

[Fig. 12: Computer Data Lines Circuit \(2 of 2\)](#)

CRUISE CONTROL

3.0L

[Fig. 13: 3.0L, Cruise Control Circuit](#)

3.5L

[Fig. 14: 3.5L, Cruise Control Circuit](#)

DEFOGGERS

[Fig. 15: Heated Windshield Circuit](#)

[Fig. 16: Rear Defogger Circuit](#)

ELECTRONIC POWER STEERING

[Fig. 17: Electronic Power Steering Circuit](#)

ENGINE PERFORMANCE

3.0L DIESEL

[Fig. 18: 3.0L Diesel, Engine Performance Circuit \(1 of 4\)](#)

[Fig. 19: 3.0L Diesel, Engine Performance Circuit \(2 of 4\)](#)

[Fig. 20: 3.0L Diesel, Engine Performance Circuit \(3 of 4\)](#)

[Fig. 21: 3.0L Diesel, Engine Performance Circuit \(4 of 4\)](#)

3.5L

[Fig. 22: 3.5L, Engine Performance Circuit \(1 of 4\)](#)

[Fig. 23: 3.5L, Engine Performance Circuit \(2 of 4\)](#)

[Fig. 24: 3.5L, Engine Performance Circuit \(3 of 4\)](#)

[Fig. 25: 3.5L, Engine Performance Circuit \(4 of 4\)](#)

EXTERIOR LIGHTS

[Fig. 26: Back-up Lamps Circuit](#)

[Fig. 27: Exterior Lamps Circuit \(1 of 2\)](#)

[Fig. 28: Exterior Lamps Circuit \(2 of 2\)](#)

[Fig. 29: Trailer Tow Circuit](#)

GROUND DISTRIBUTION

[Fig. 30: Ground Distribution Circuit \(1 of 3\)](#)

[Fig. 31: Ground Distribution Circuit \(2 of 3\)](#)

[Fig. 32: Ground Distribution Circuit \(3 of 3\)](#)

HEADLIGHTS

[Fig. 33: Adaptive Front Lighting Circuit](#)

[Fig. 34: Headlamps Circuit](#)

HORN

[Fig. 35: Horn Circuit](#)

INSTRUMENT CLUSTER

[Fig. 36: Instrument Cluster Circuit](#)

INTERIOR LIGHTS

[Fig. 37: Courtesy Lamps Circuit \(1 of 2\)](#)

[Fig. 38: Courtesy Lamps Circuit \(2 of 2\)](#)

NAVIGATION

[Fig. 39: Parking Assistant Circuit \(1 of 2\)](#)

[Fig. 40: Parking Assistant Circuit \(2 of 2\)](#)

[Fig. 41: Rear Camera Circuit, W/ Monitor Preinstallation](#)

[Fig. 42: Rear Camera Circuit, W/O Monitor Preinstallation](#)

POWER DISTRIBUTION

[Fig. 43: Power Distribution Circuit \(1 of 5\)](#)

[Fig. 44: Power Distribution Circuit \(2 of 5\)](#)

[Fig. 45: Power Distribution Circuit \(3 of 5\)](#)

[Fig. 46: Power Distribution Circuit \(4 of 5\)](#)

[Fig. 47: Power Distribution Circuit \(5 of 5\)](#)

POWER DOOR LOCKS

[Fig. 48: Power Door Locks Circuit](#)

POWER MIRRORS

[Fig. 49: Power Mirrors Circuit](#)

POWER SEATS

[Fig. 50: Power Seats Circuit](#)

POWER TOP/SUNROOF

[Fig. 51: Power Top/Sunroof Circuit](#)

POWER WINDOWS

[Fig. 52: Power Windows Circuit](#)

RADIO

[Fig. 53: Radio Circuit, Sound 20](#)

[Fig. 54: Radio Circuit, Sound 5 W/ Preinstallation](#)

[Fig. 55: Radio Circuit, Sound 5 W/O PreInstallation](#)

SHIFT INTERLOCK

[Fig. 56: Shift Interlock Circuit](#)

[Fig. 57: Steering Column Circuit](#)

STARTING/CHARGING

[Fig. 58: Charging Circuit](#)

[Fig. 59: Starting Circuit](#)

SUPPLEMENTAL RESTRAINTS

[Fig. 60: Supplemental Restraints Circuit \(1 of 2\)](#)

[Fig. 61: Supplemental Restraints Circuit \(2 of 2\)](#)

TRANSMISSION

[Fig. 62: Transmission Circuit](#)

WARNING SYSTEMS

[Fig. 63: Brake Wear Sensor Circuit](#)

[Fig. 64: Tire Pressure Monitoring Circuit](#)

WIPER/WASHER

[Fig. 65: Front Wiper/Washer Circuit](#)

[Fig. 66: Headlamp Washer Circuit](#)

[Fig. 67: Rear Wiper/Washer Circuit](#)

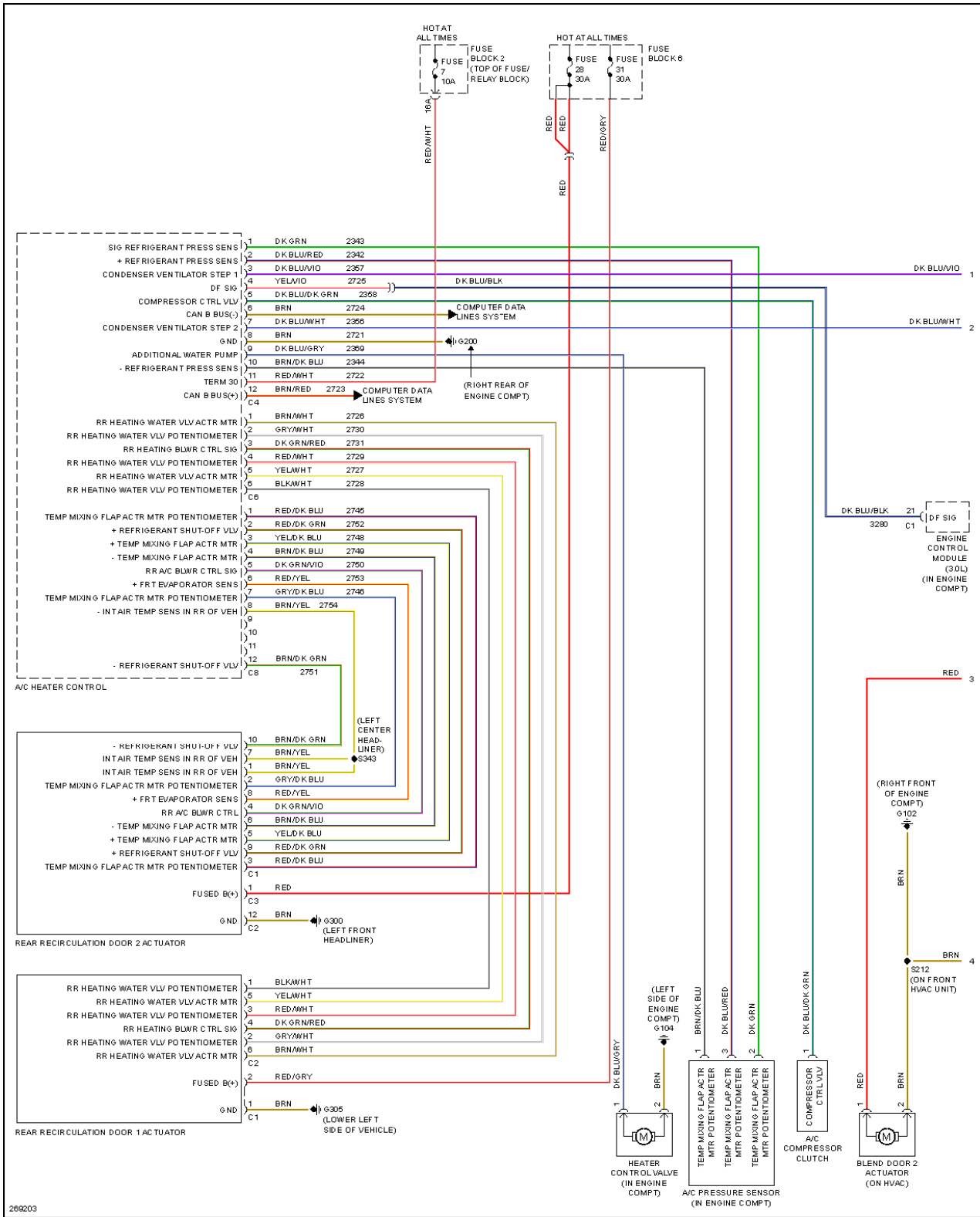


Fig. 1: Automatic A/C Circuit (1 of 3)

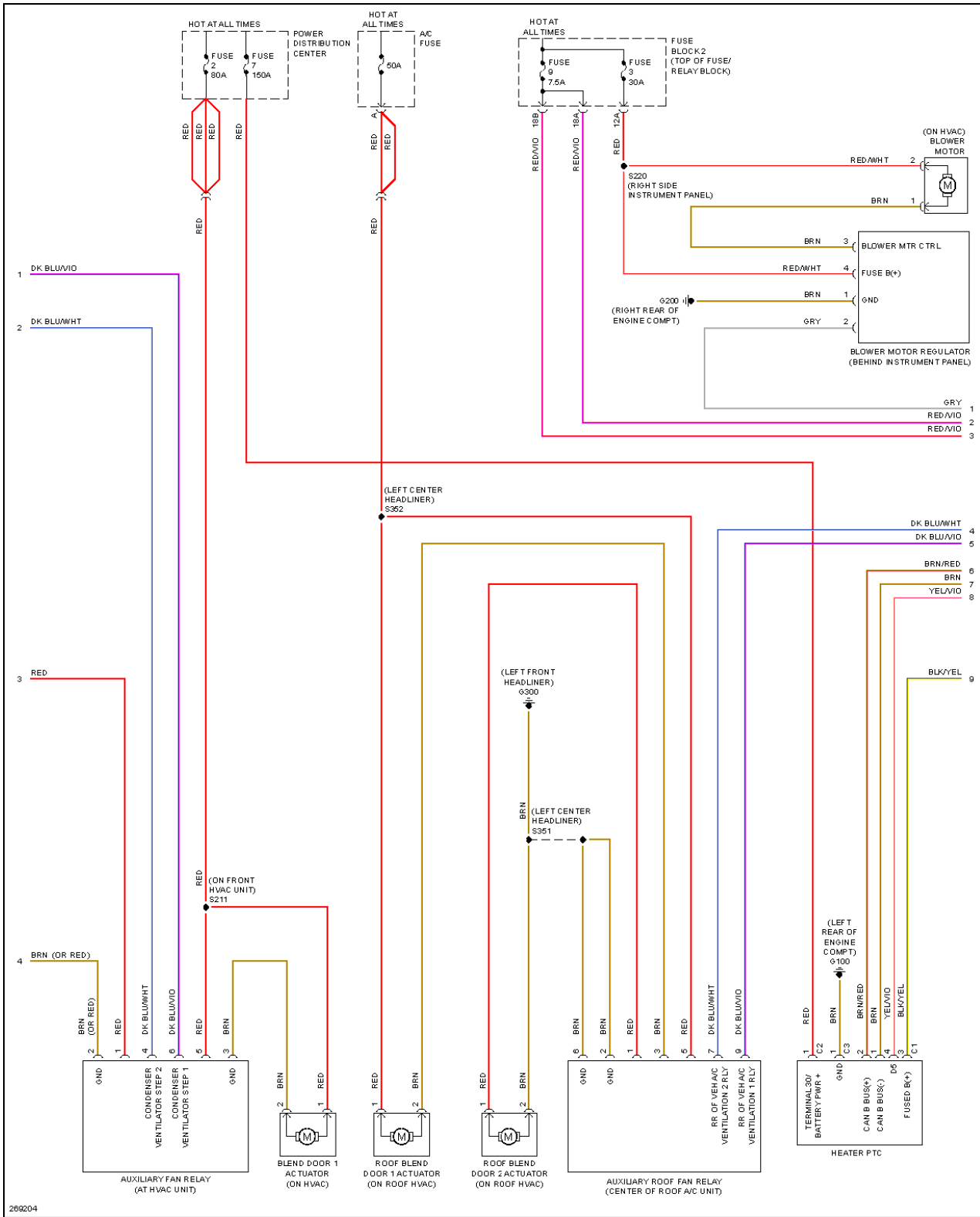


Fig. 2: Automatic A/C Circuit (2 of 3)

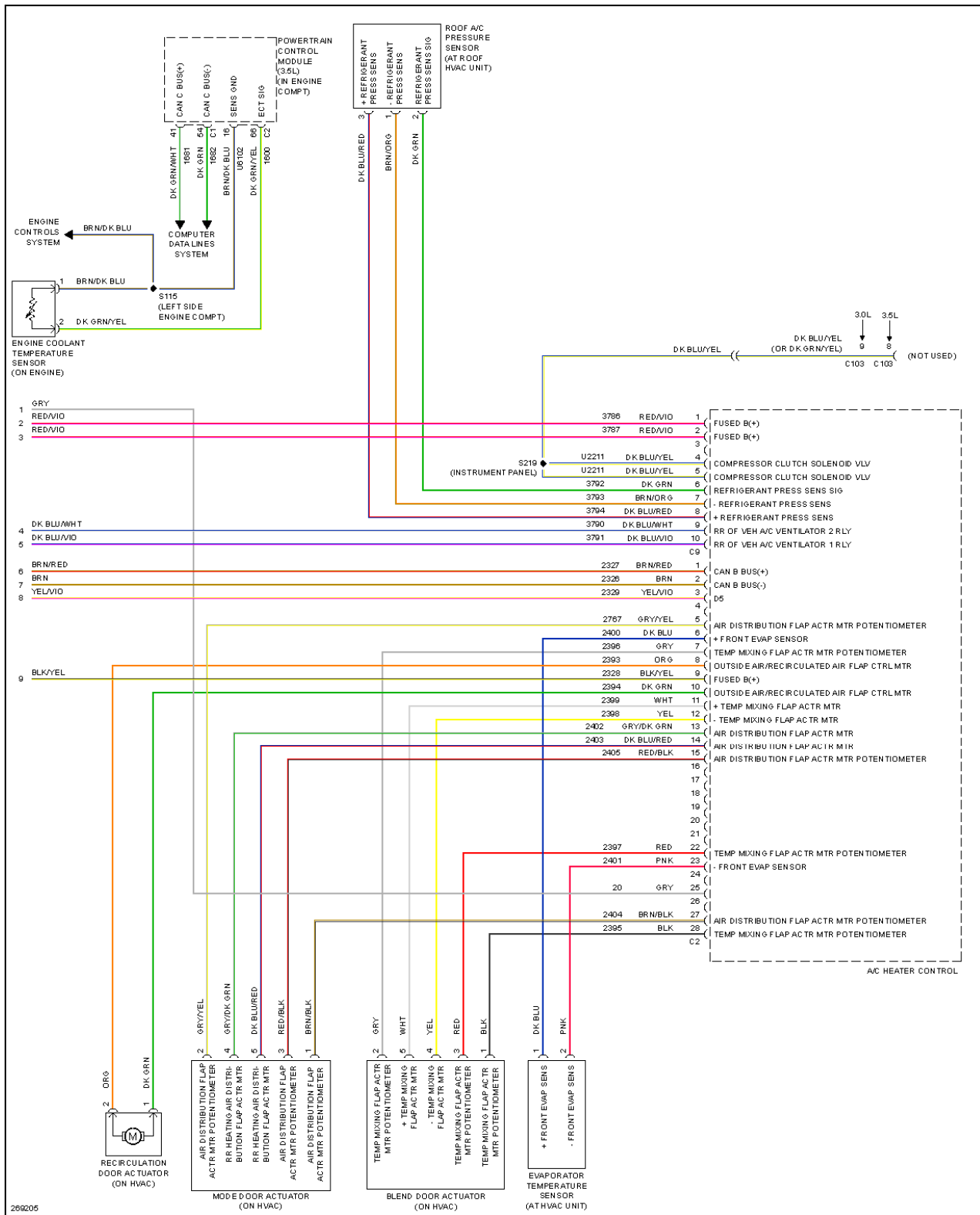


Fig. 3: Automatic A/C Circuit (3 of 3)

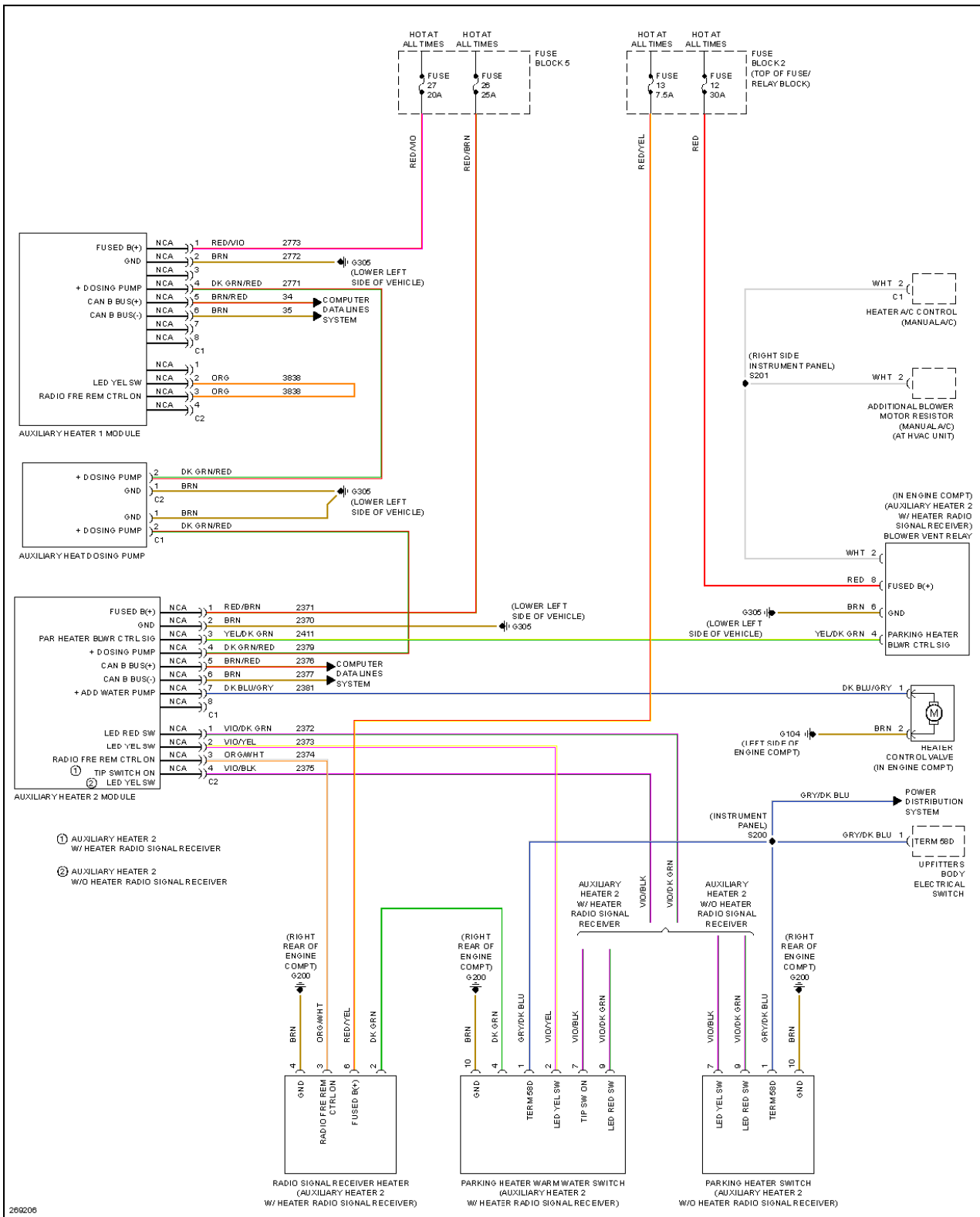


Fig. 4: Auxiliary Heater Circuit

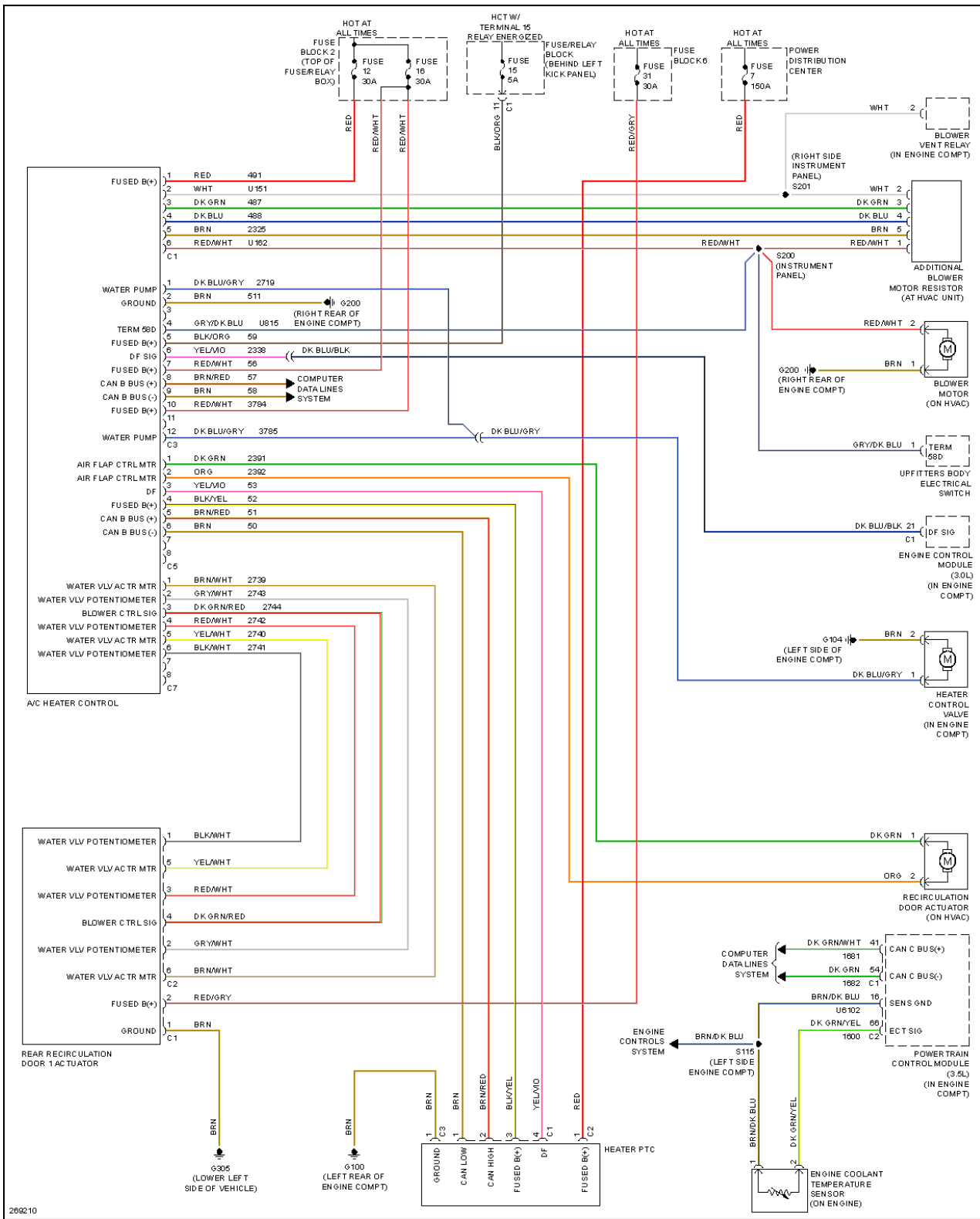


Fig. 5: Rear Heavy Duty Air Conditioning Circuit

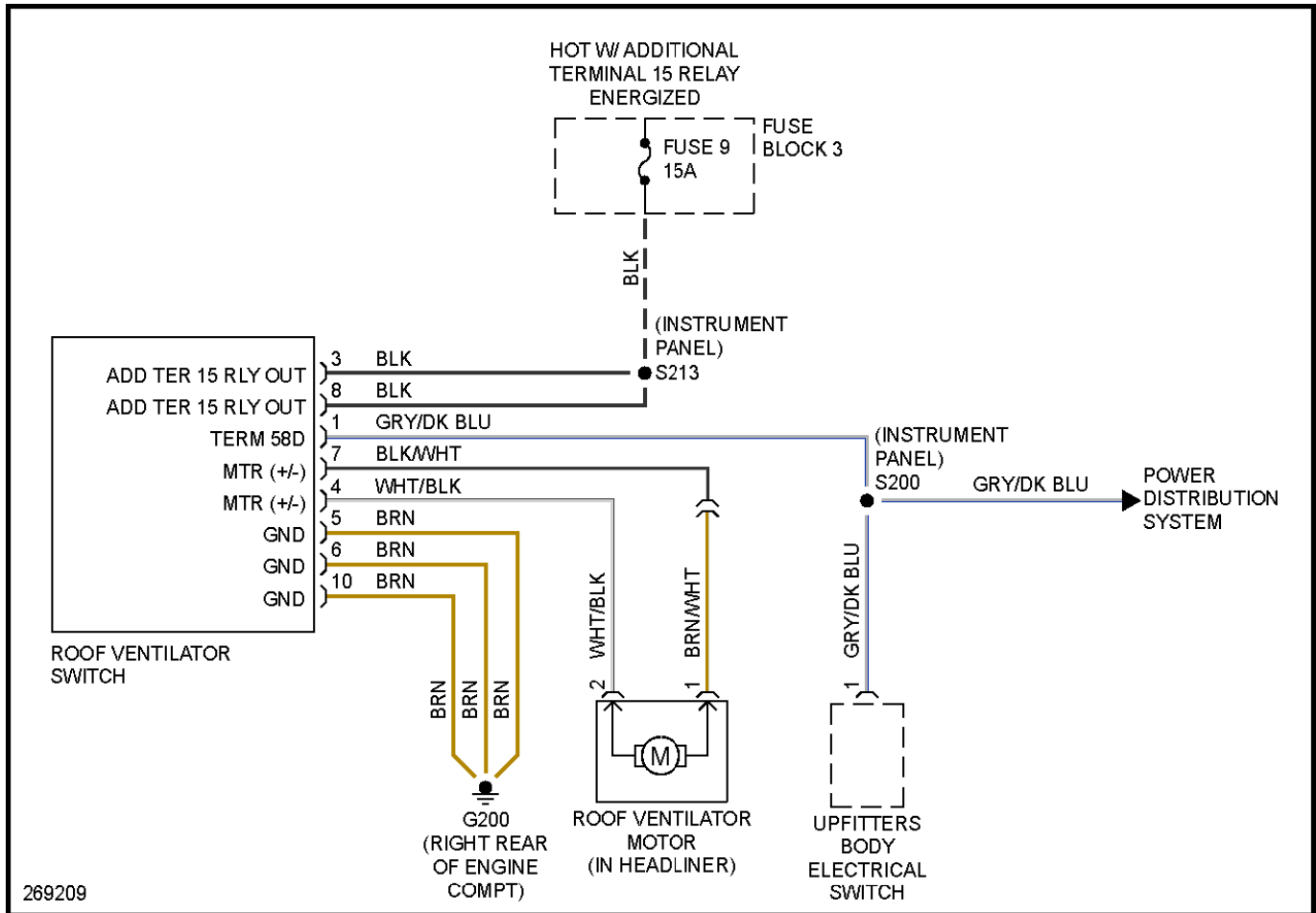


Fig. 6: Roof Ventilator Circuit

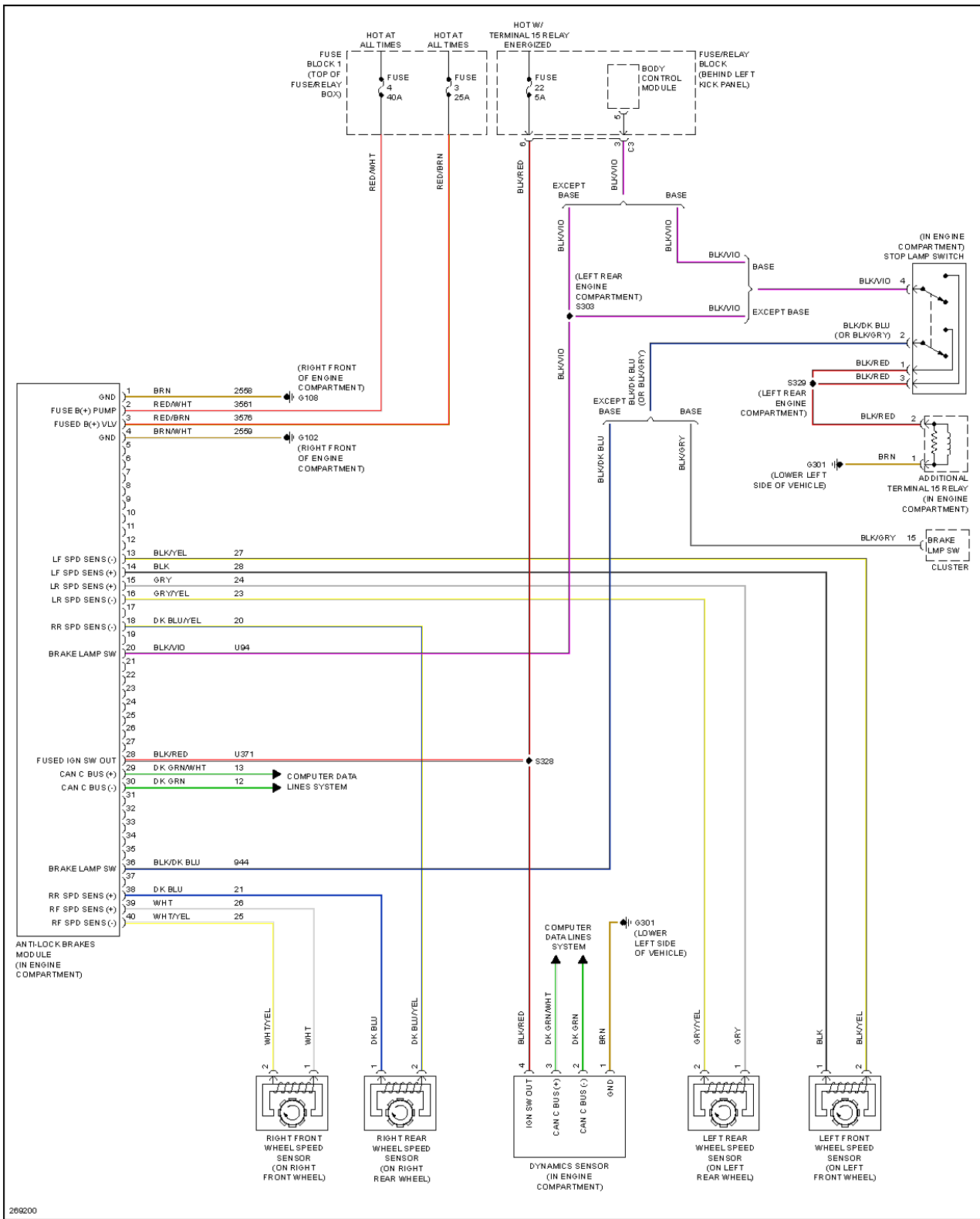


Fig. 7: Anti-lock Brakes Circuit

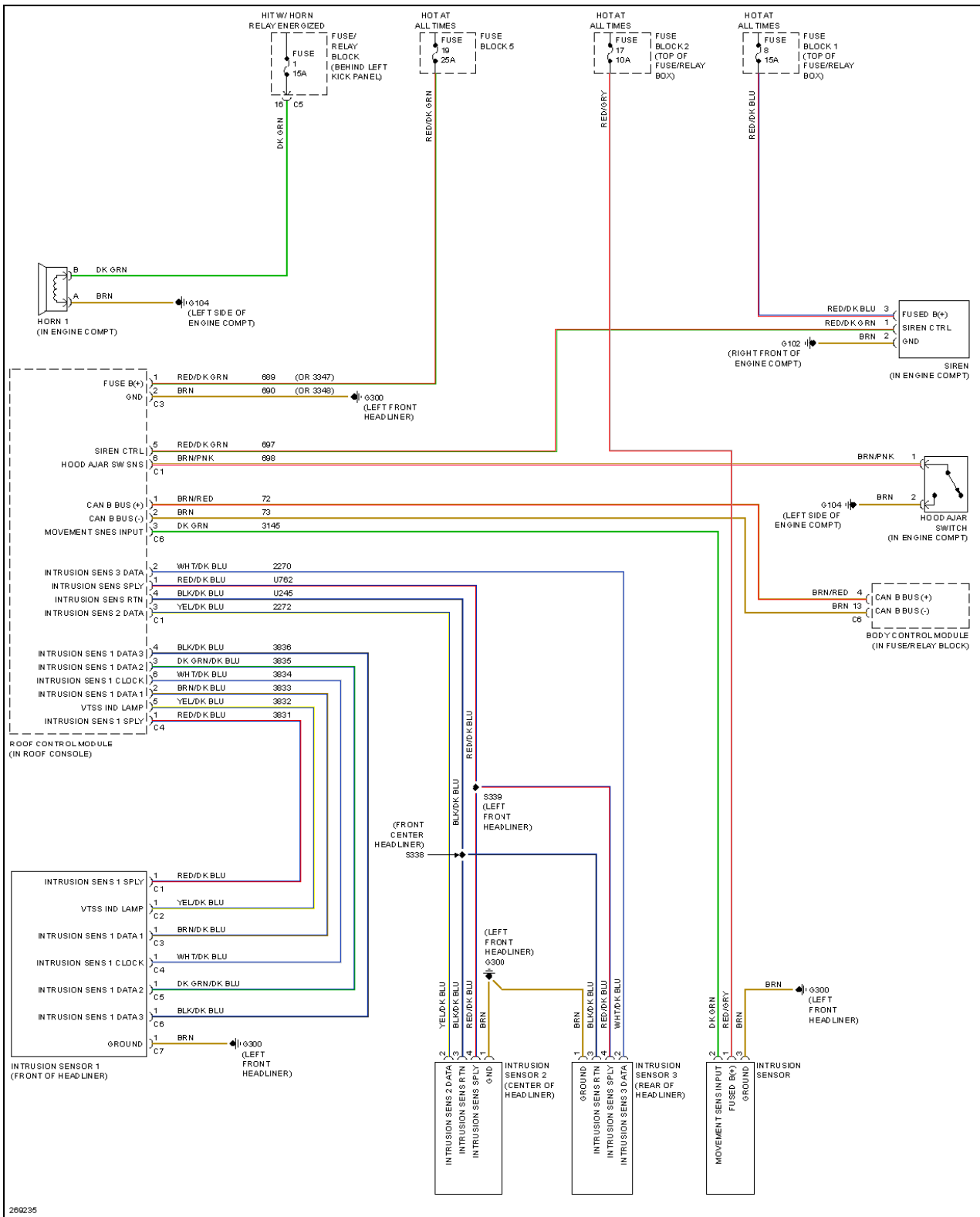


Fig. 8: Anti-theft Circuit

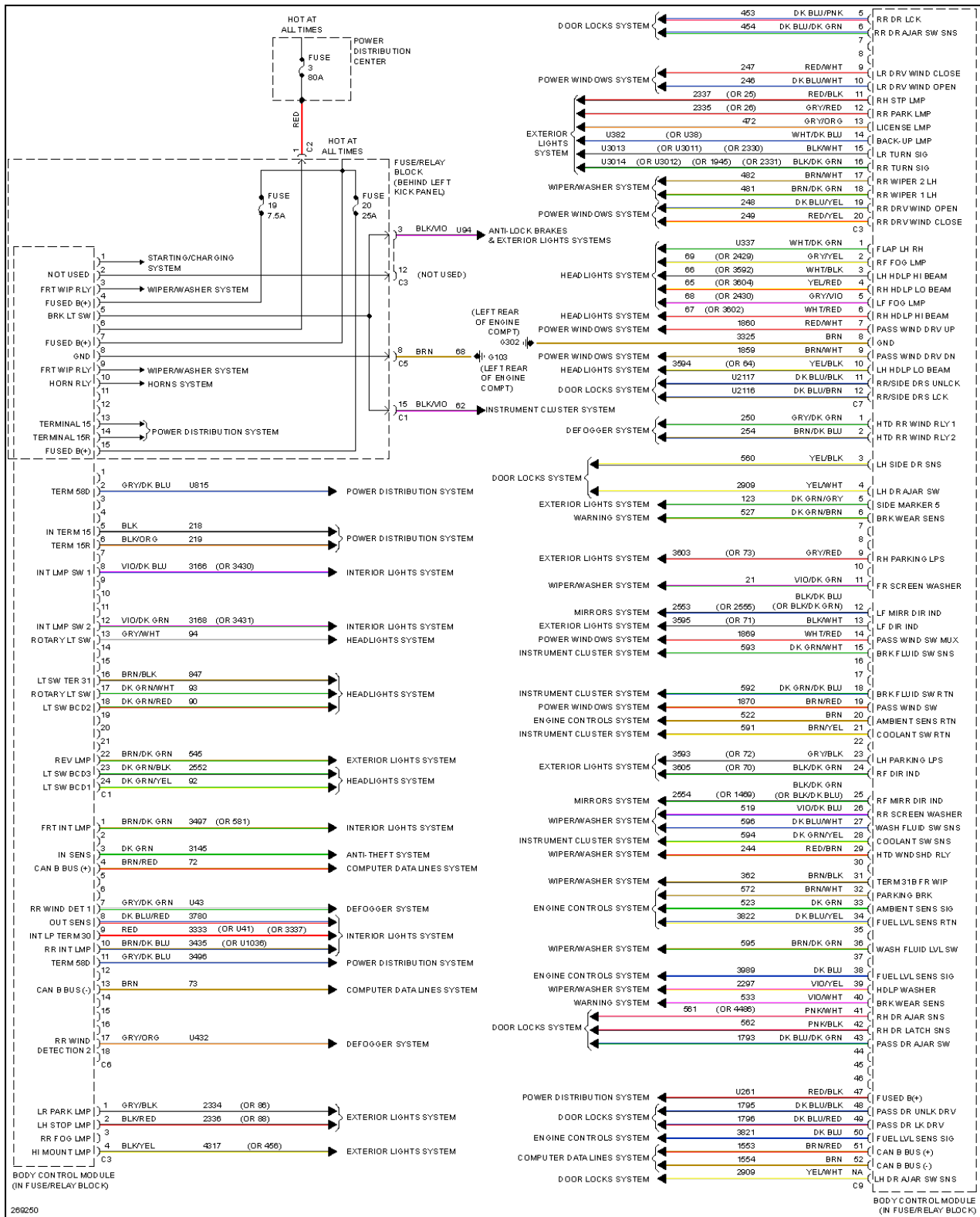


Fig. 9: Body Computer Module Circuit

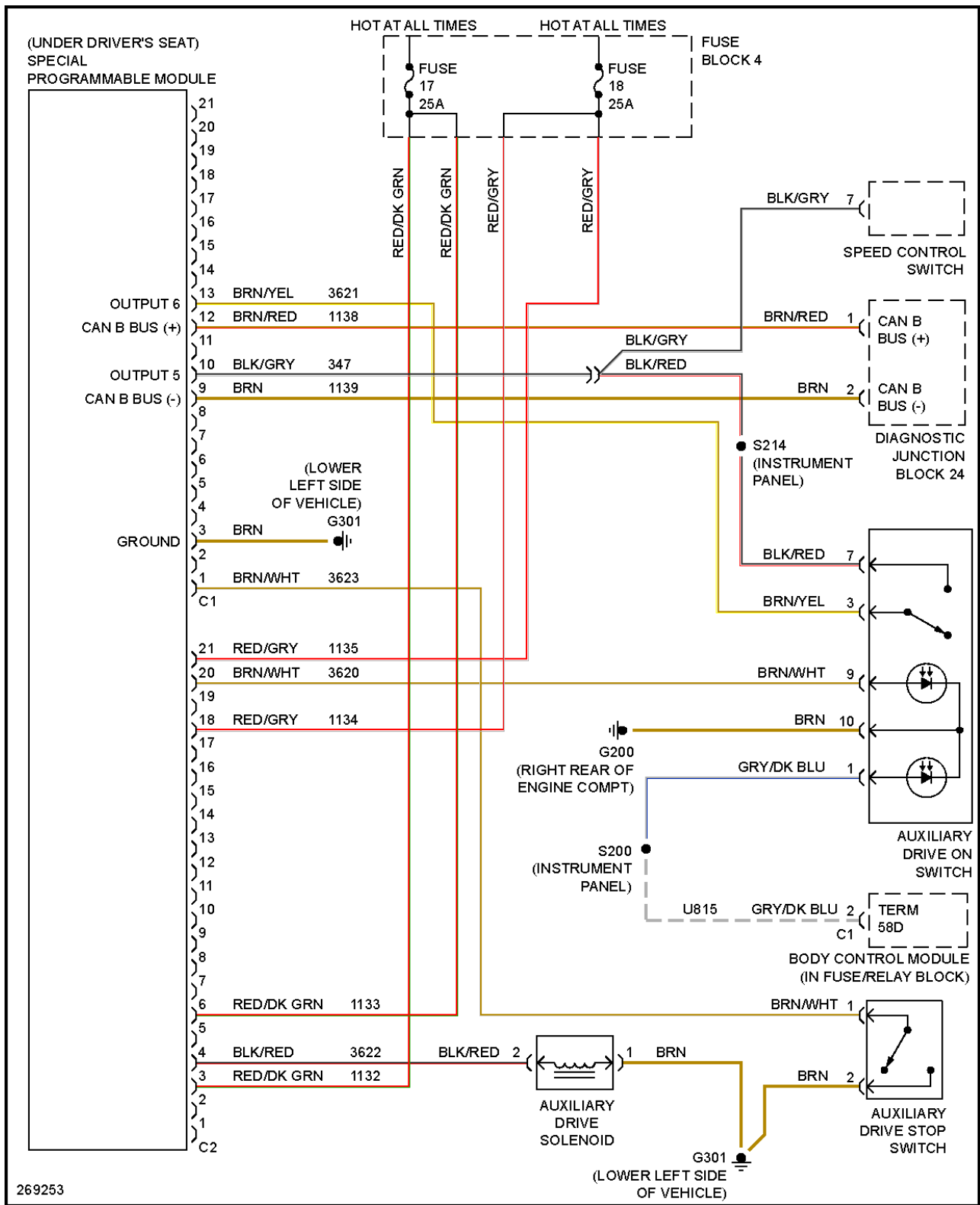


Fig. 10: Programmable Special Module Circuit

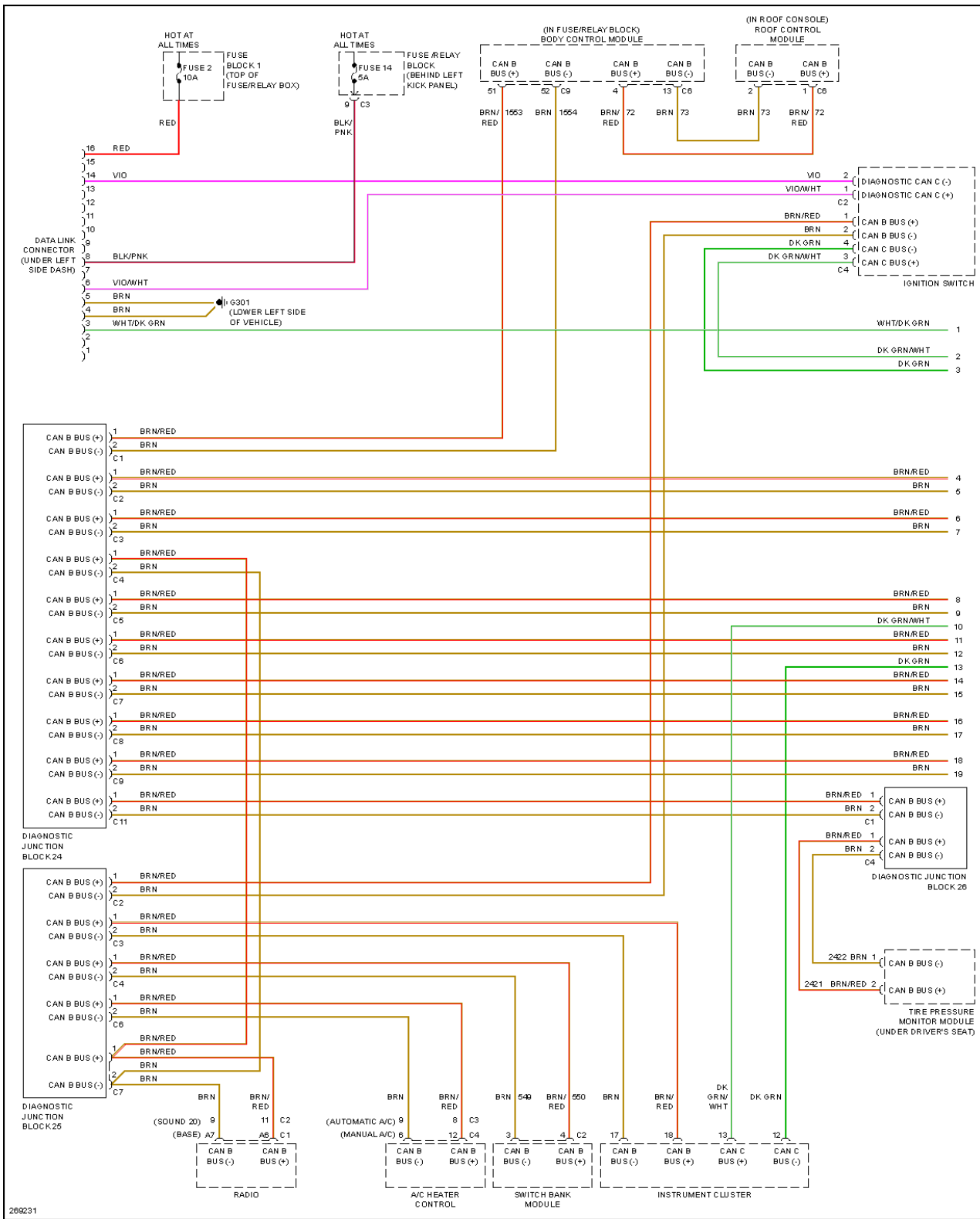


Fig. 11: Computer Data Lines Circuit (1 of 2)

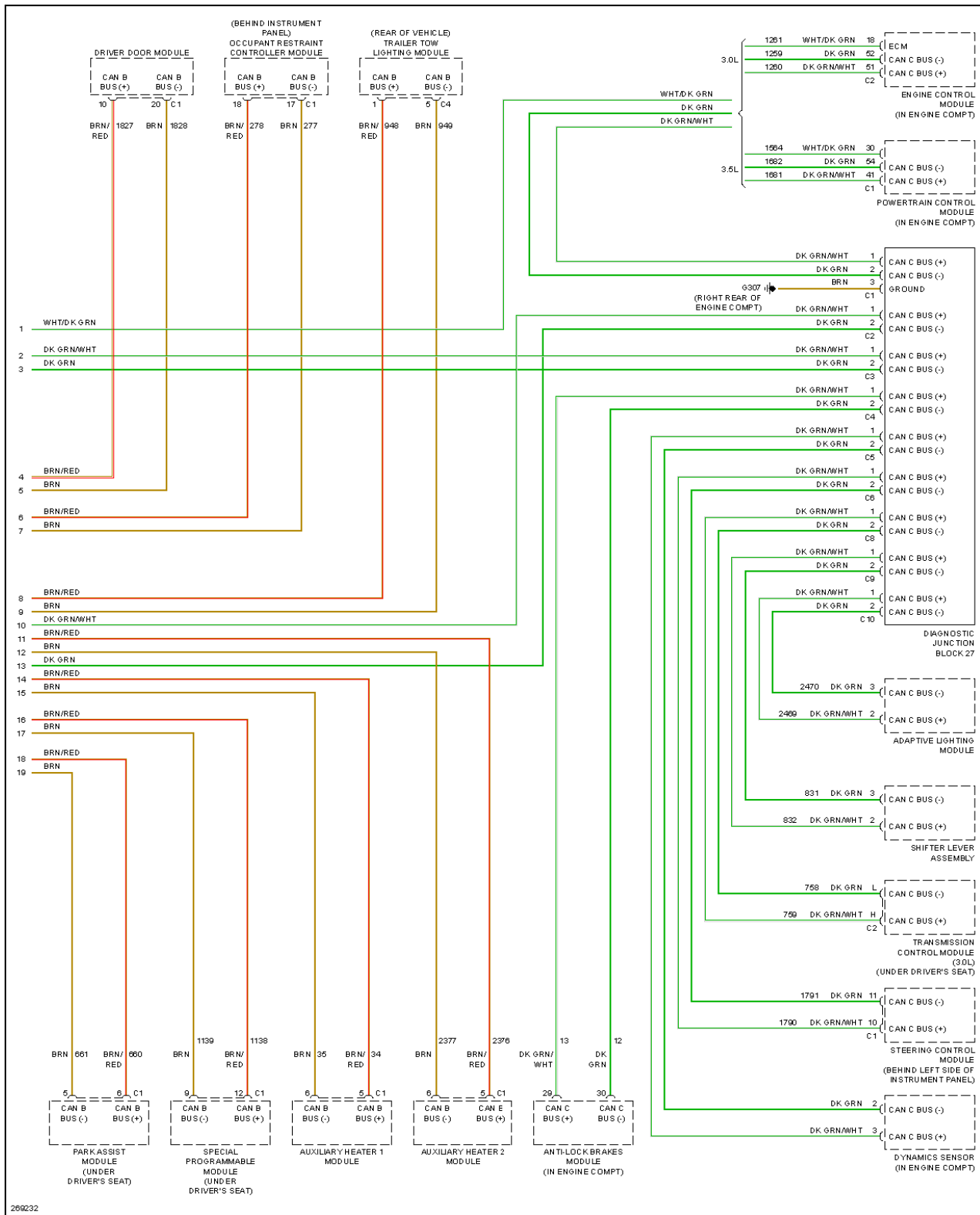


Fig. 12: Computer Data Lines Circuit (2 of 2)

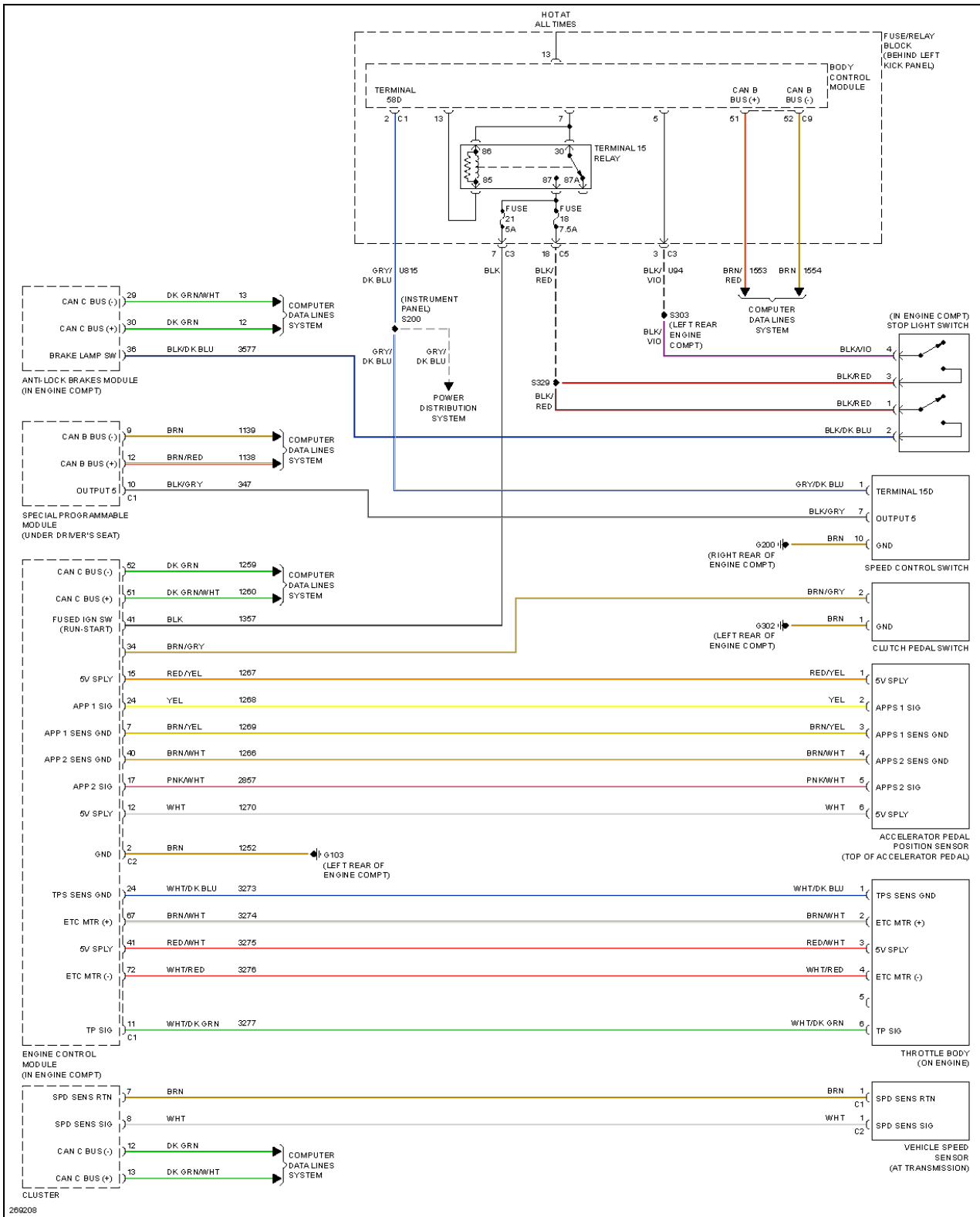


Fig. 13: 3.0L, Cruise Control Circuit

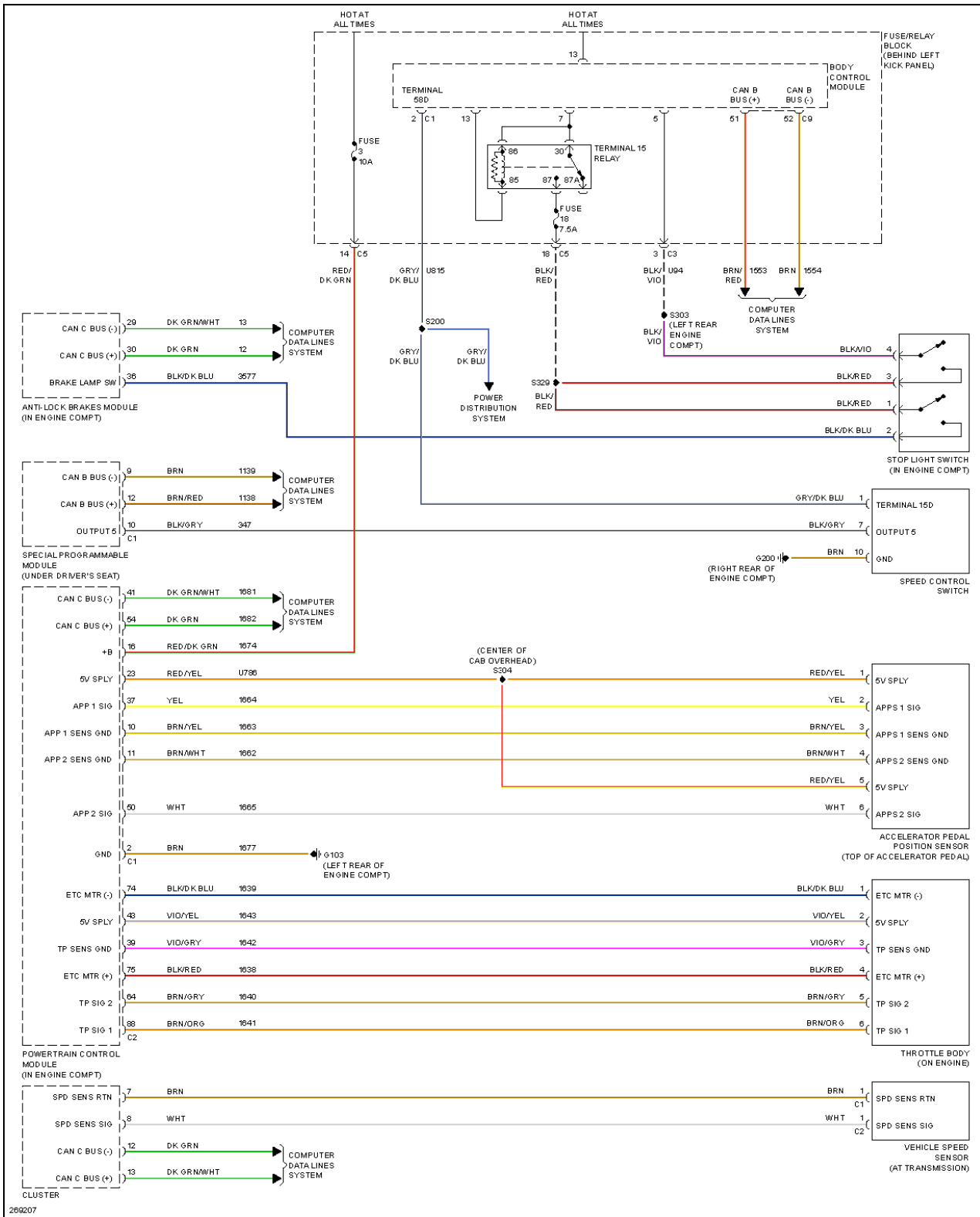


Fig. 14: 3.5L, Cruise Control Circuit

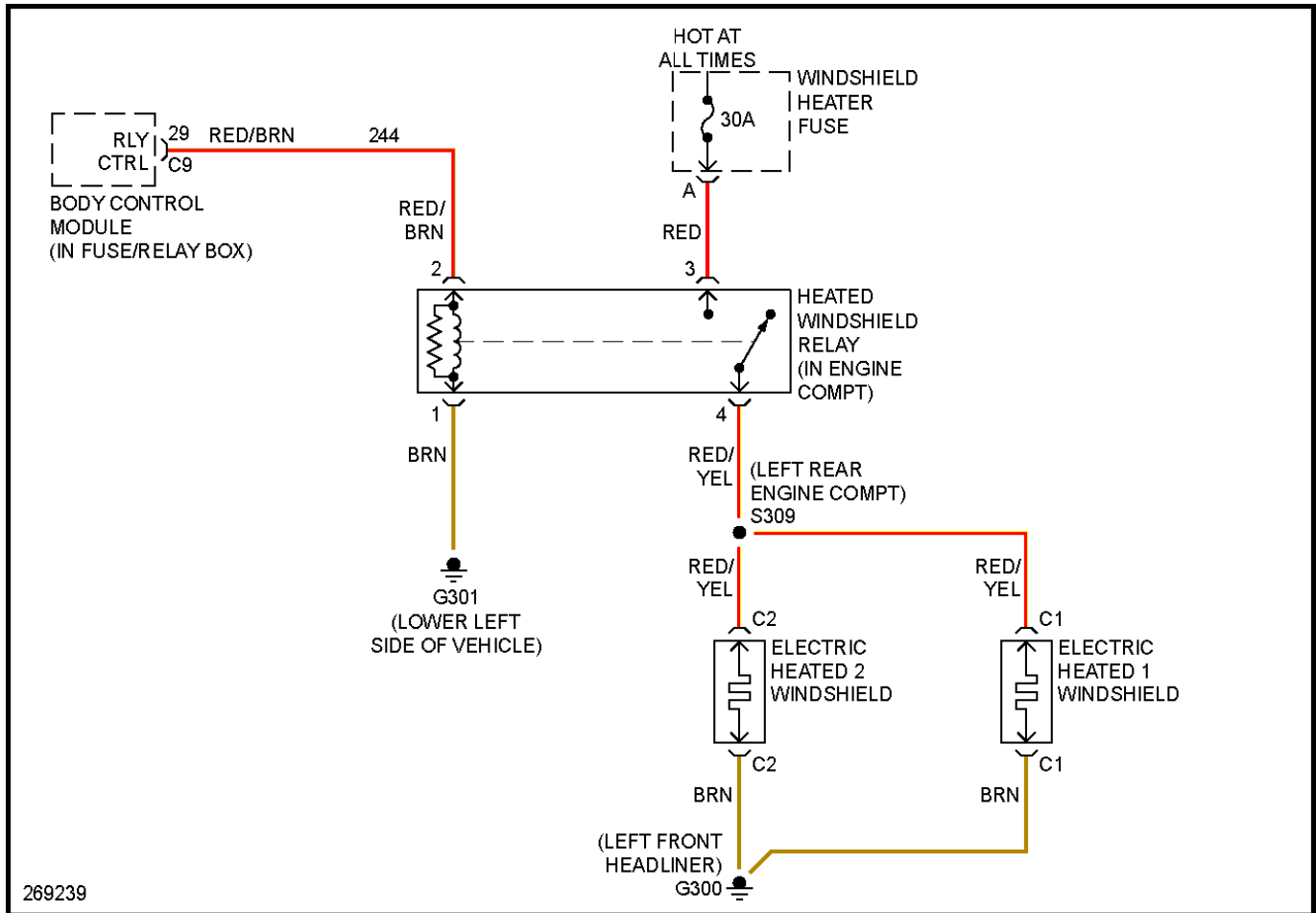


Fig. 15: Heated Windshield Circuit

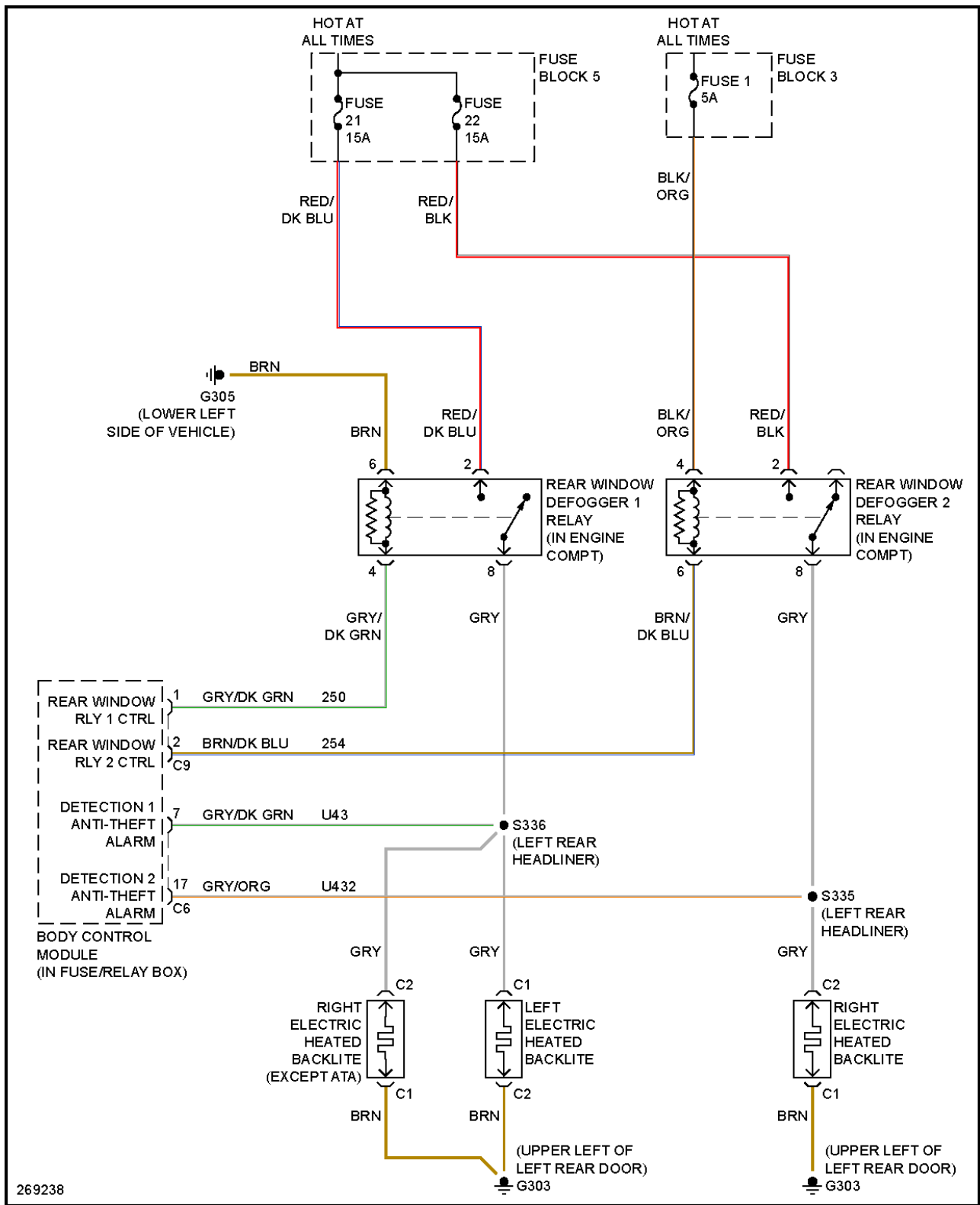


Fig. 16: Rear Defogger Circuit

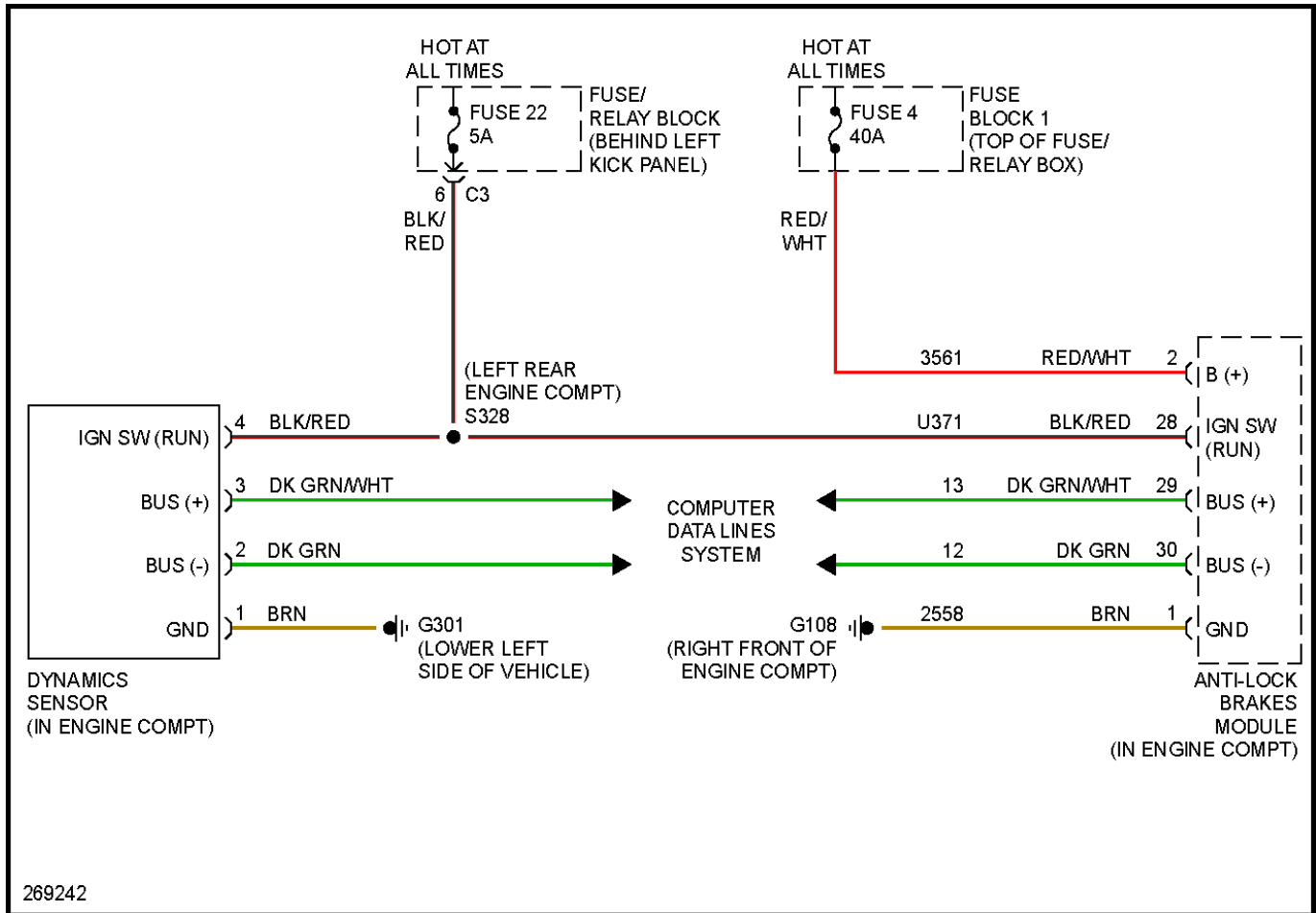


Fig. 17: Electronic Power Steering Circuit

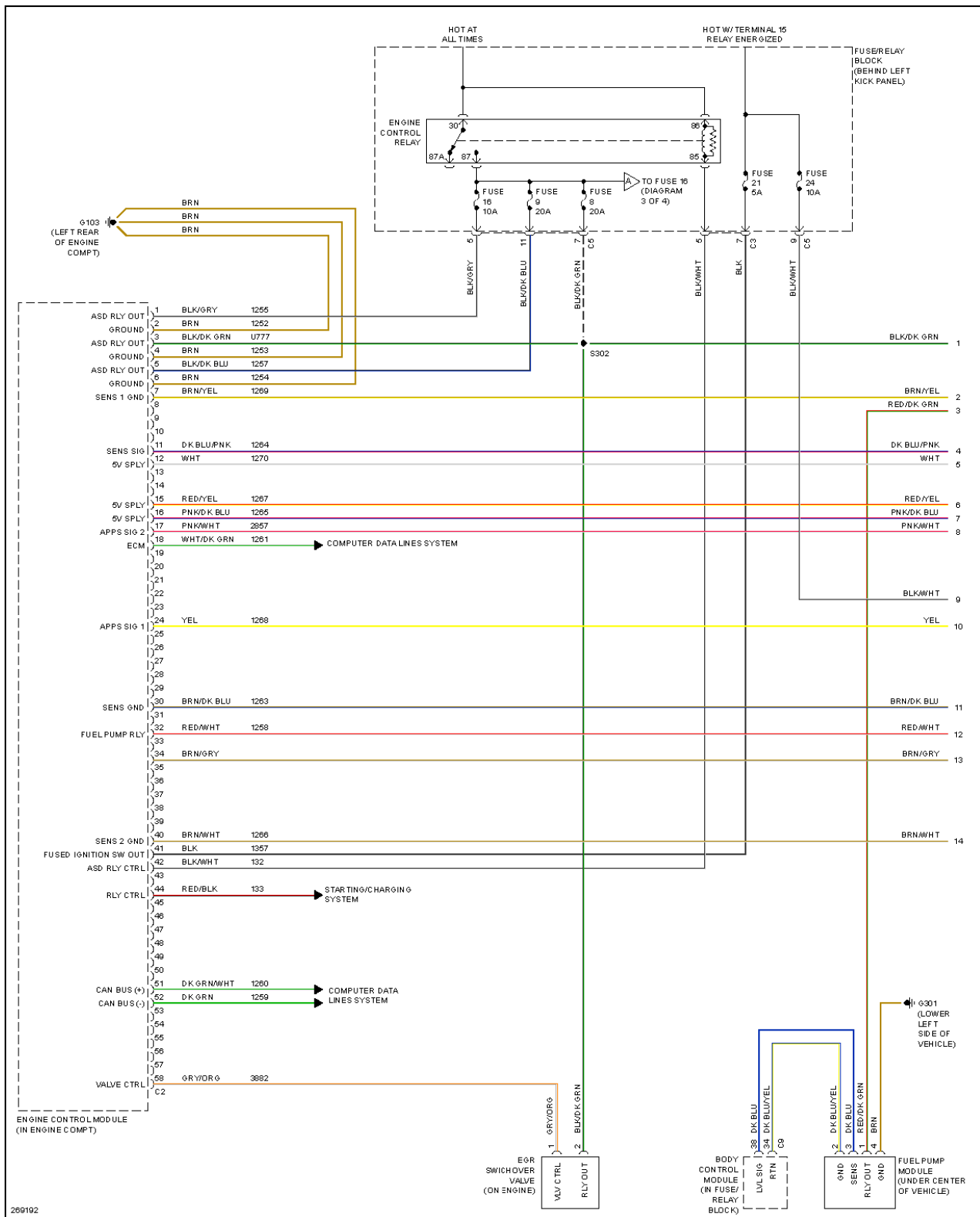


Fig. 18: 3.0L Diesel, Engine Performance Circuit (1 of 4)

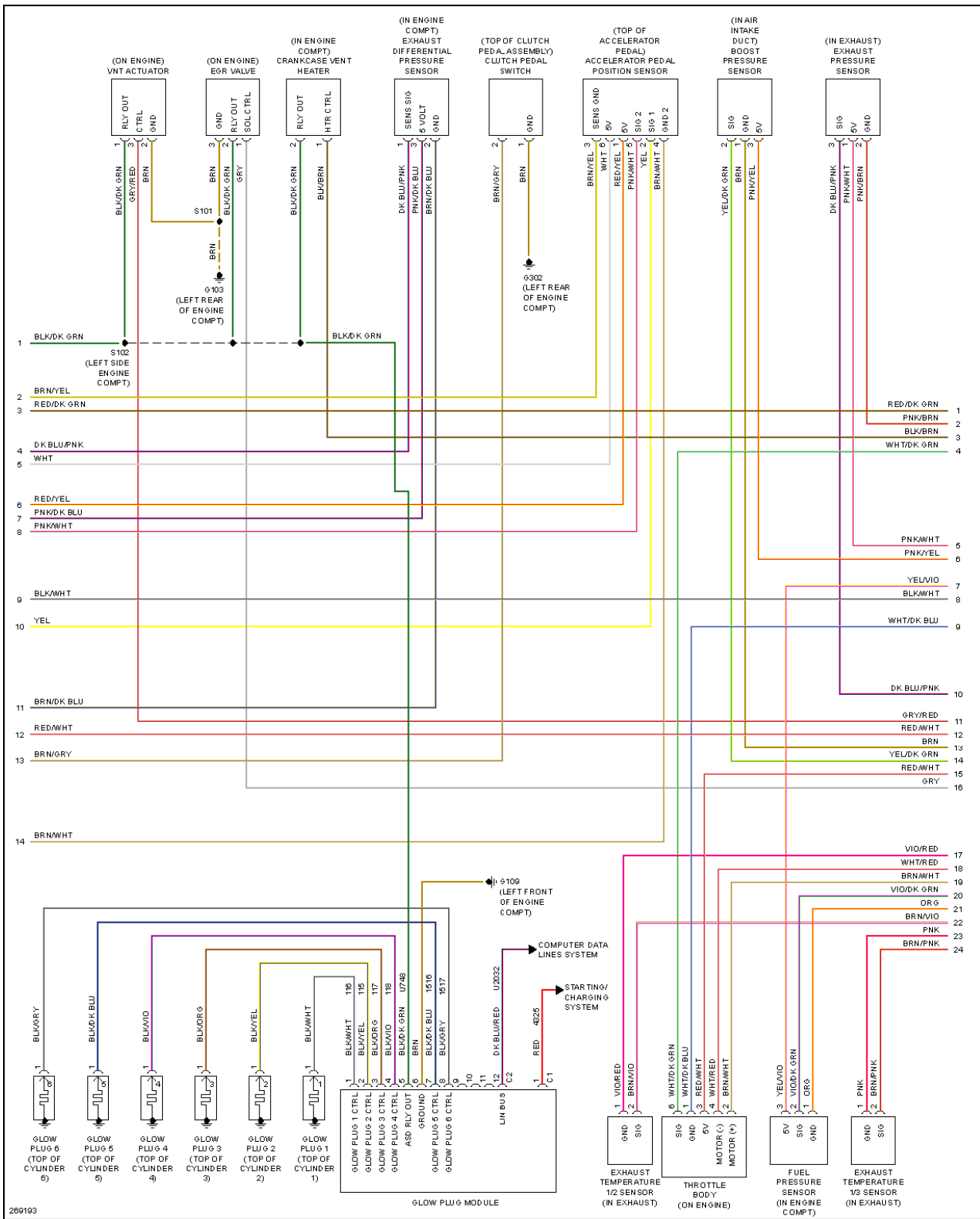


Fig. 19: 3.0L Diesel, Engine Performance Circuit (2 of 4)

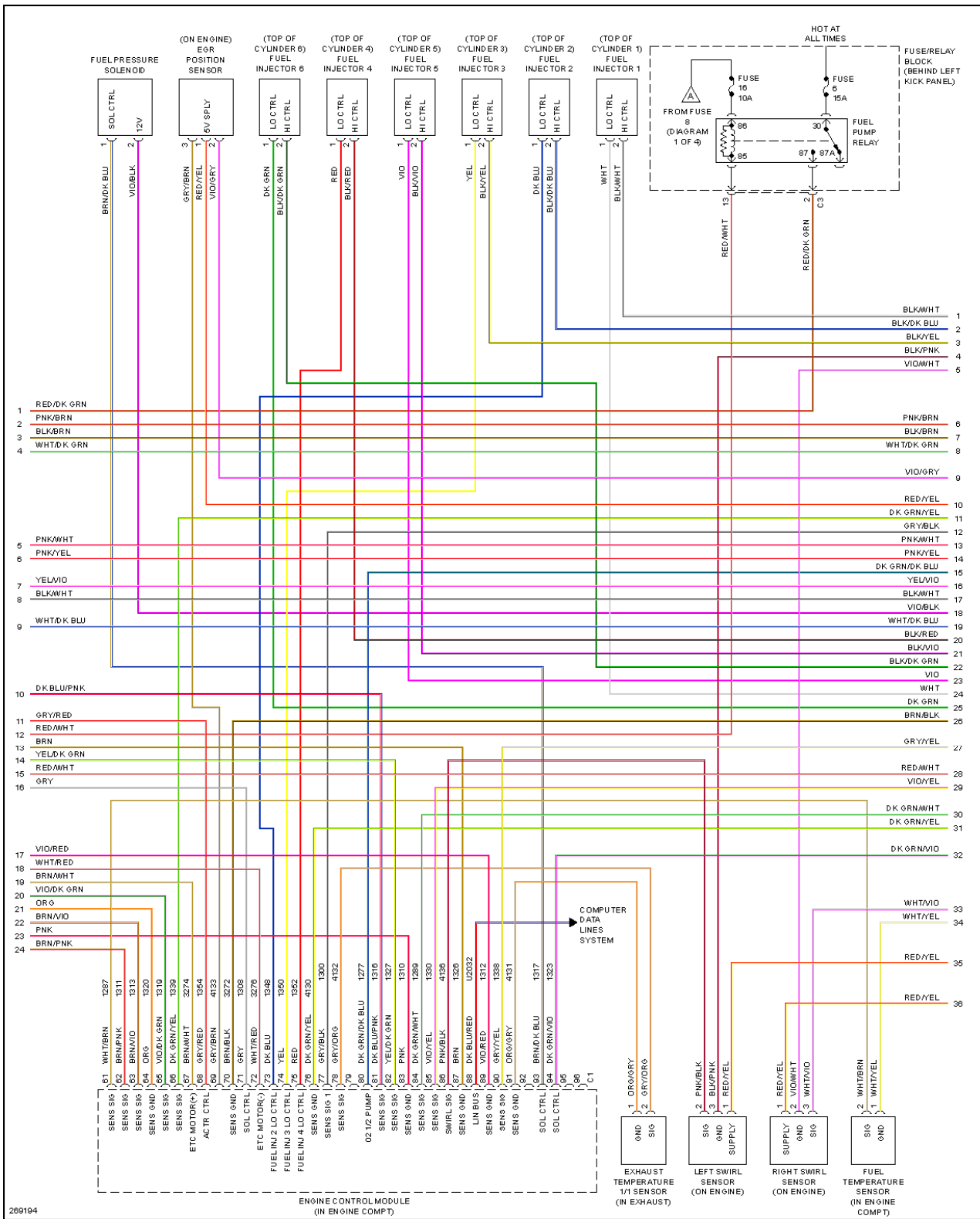


Fig. 20: 3.0L Diesel, Engine Performance Circuit (3 of 4)

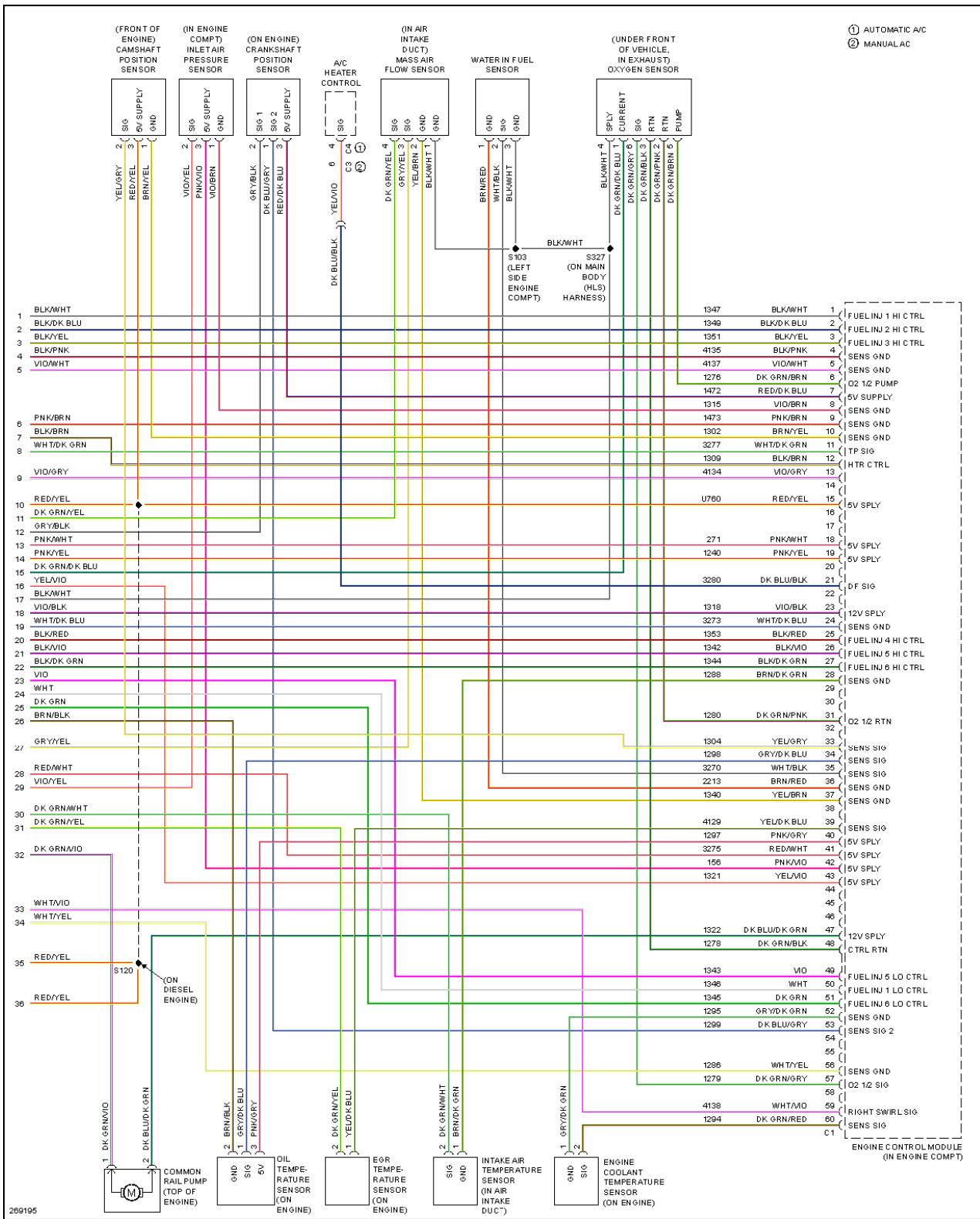


Fig. 21: 3.0L Diesel, Engine Performance Circuit (4 of 4)

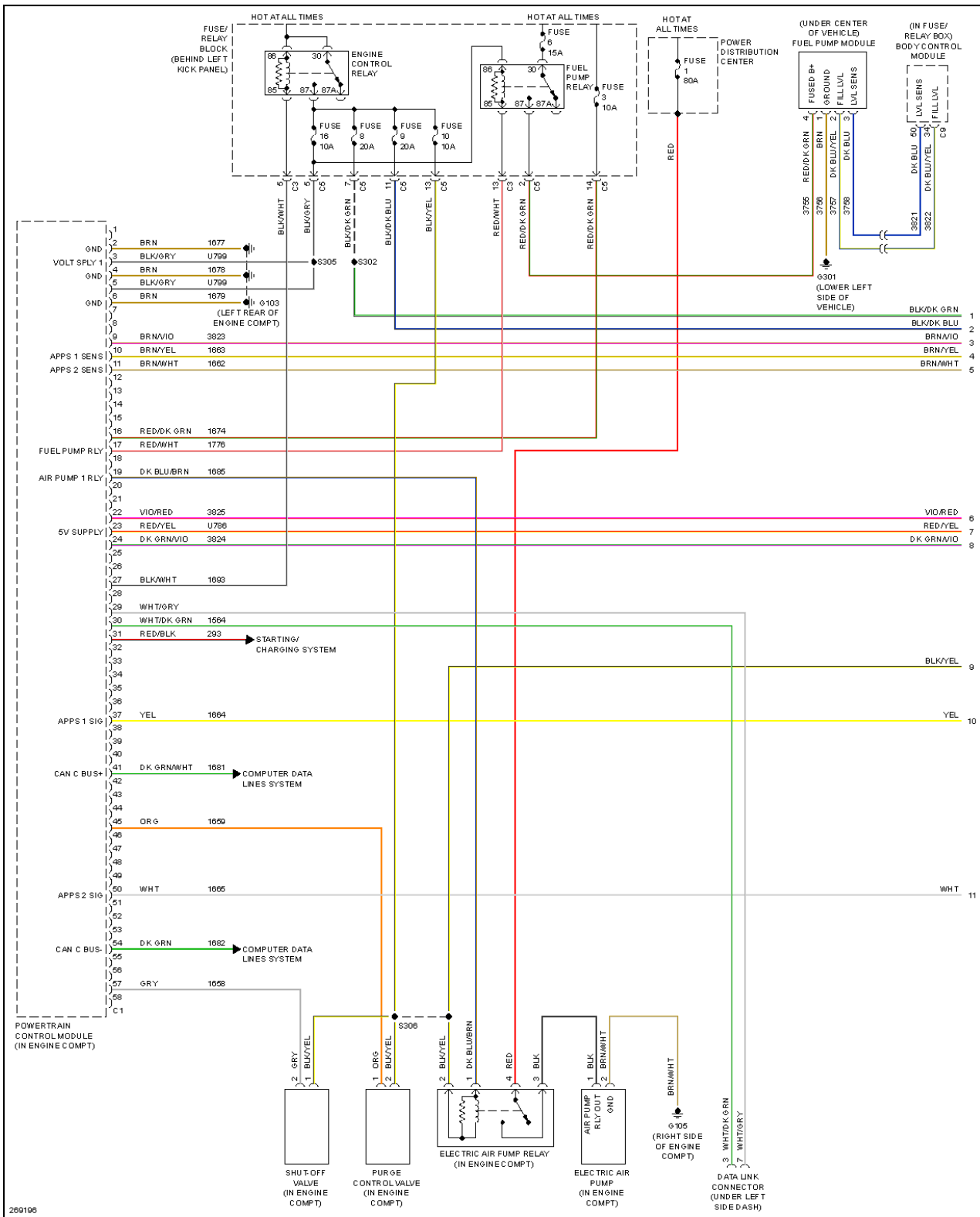


Fig. 22: 3.5L, Engine Performance Circuit (1 of 4)

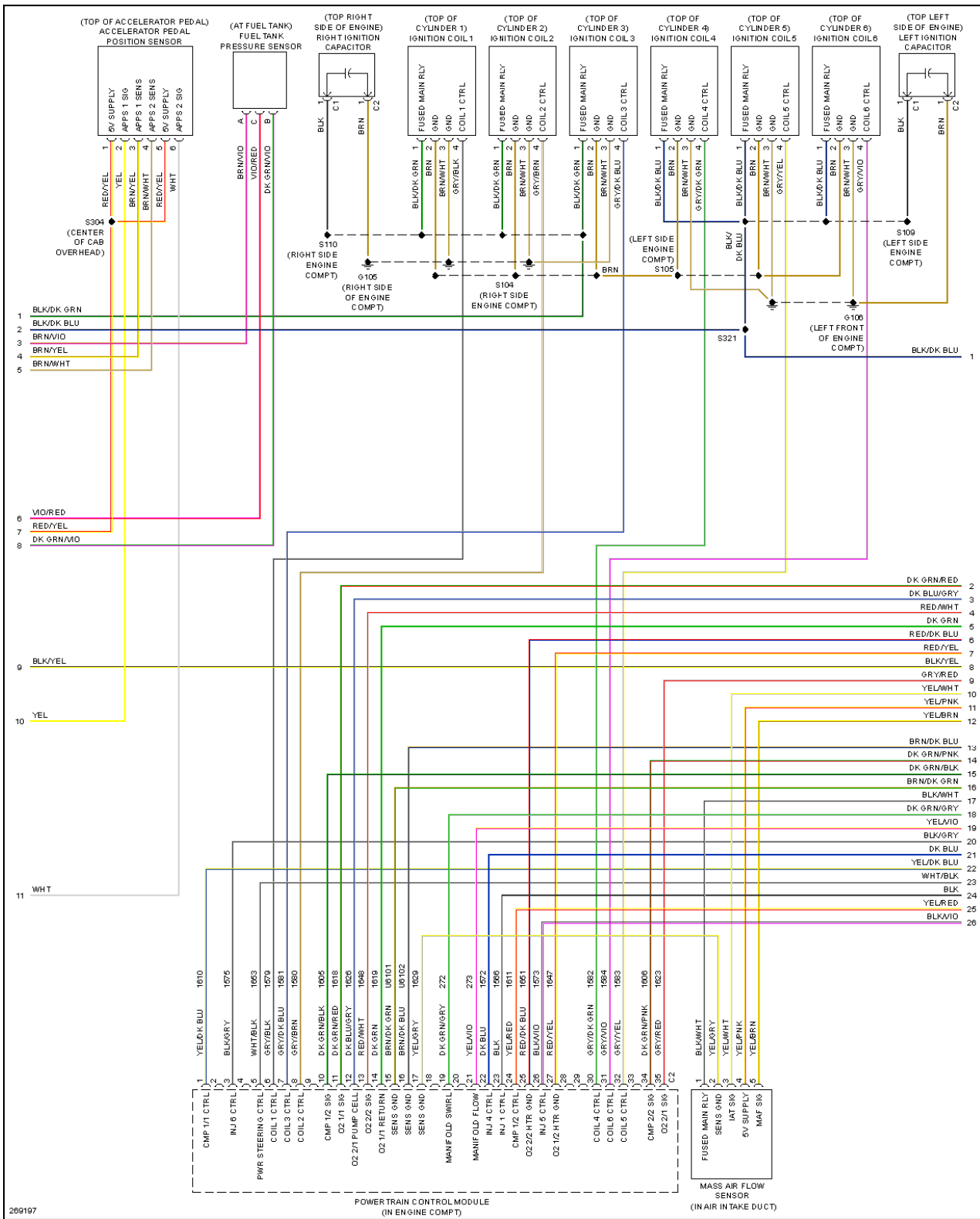


Fig. 23: 3.5L, Engine Performance Circuit (2 of 4)

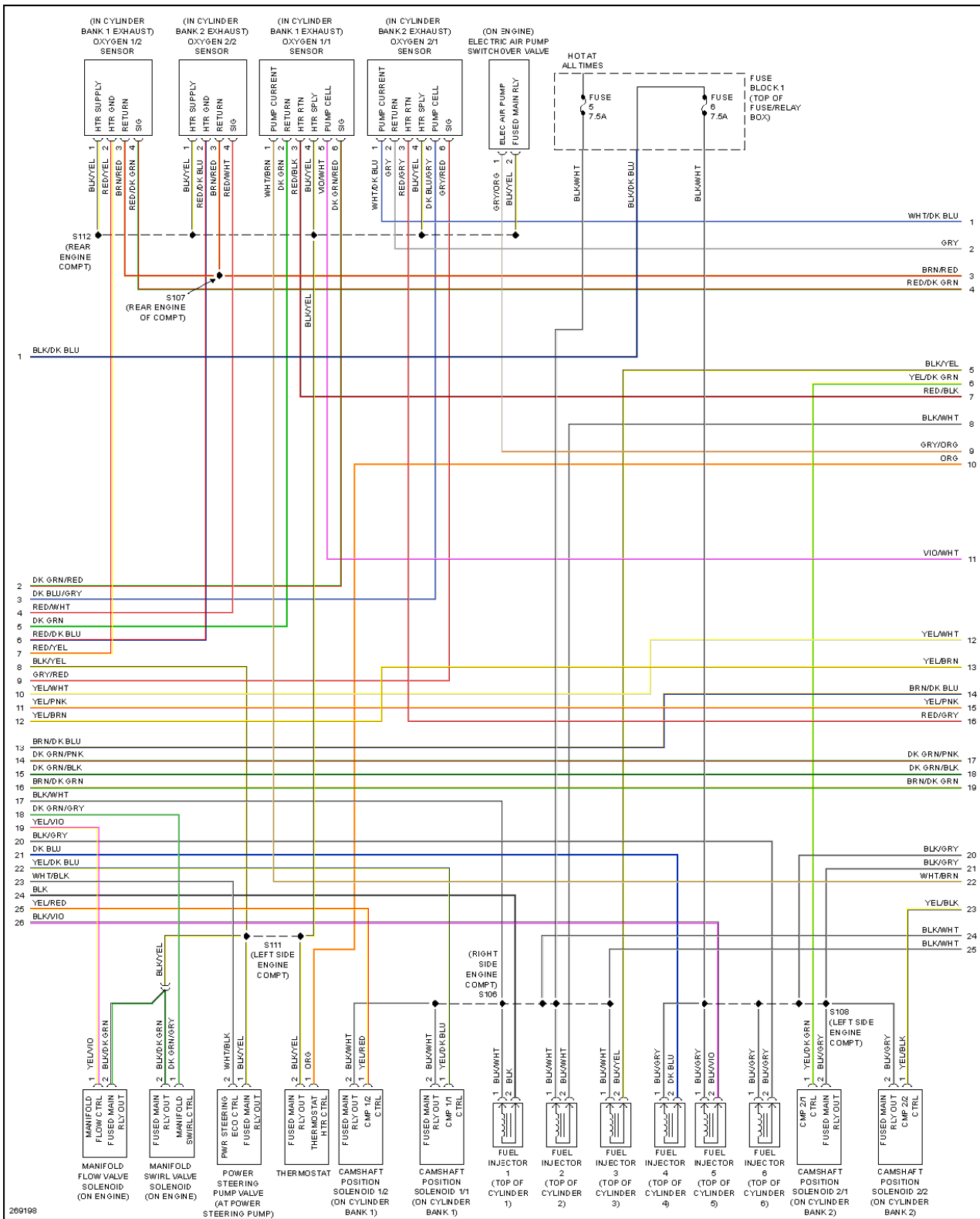


Fig. 24: 3.5L, Engine Performance Circuit (3 of 4)

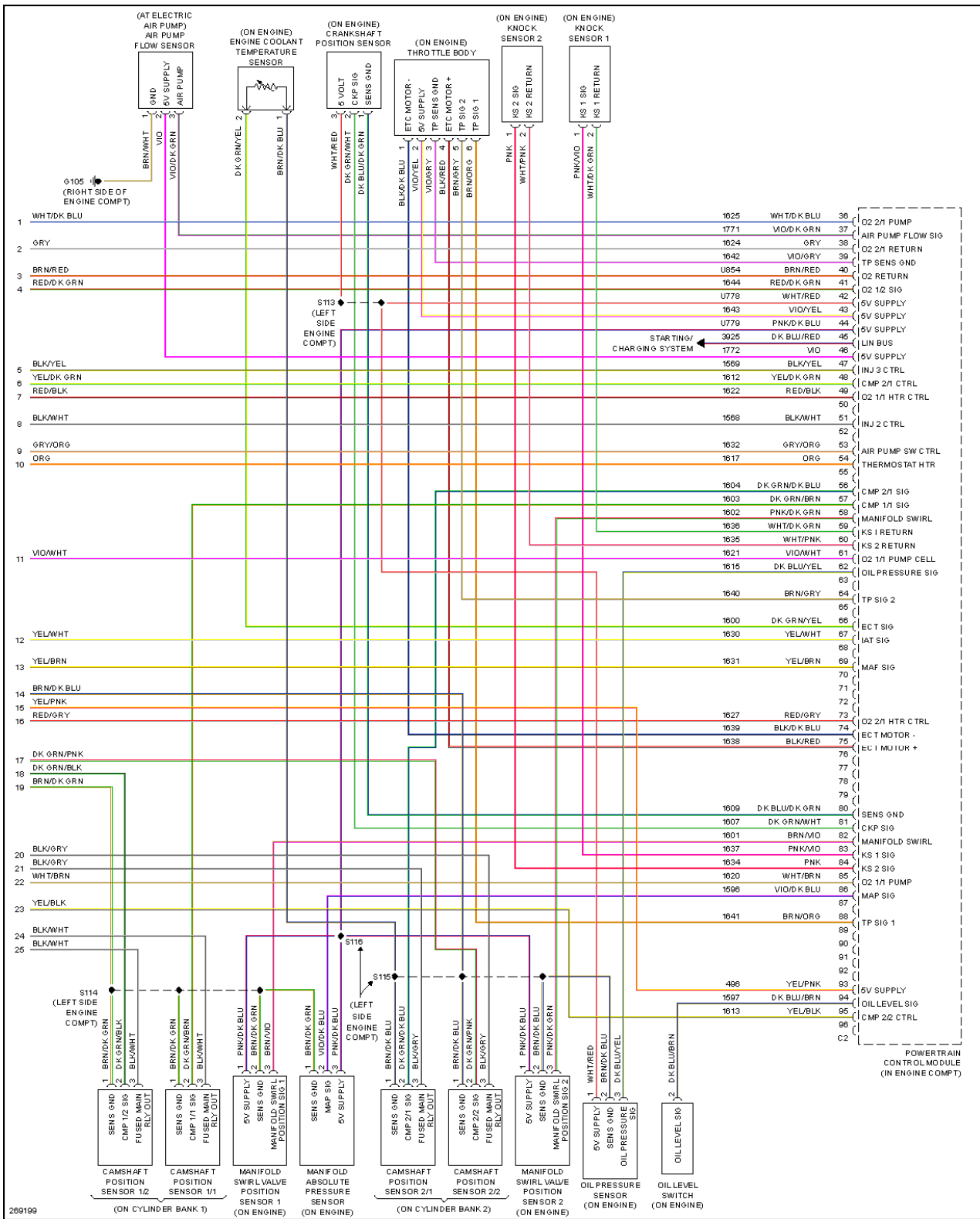


Fig. 25: 3.5L, Engine Performance Circuit (4 of 4)

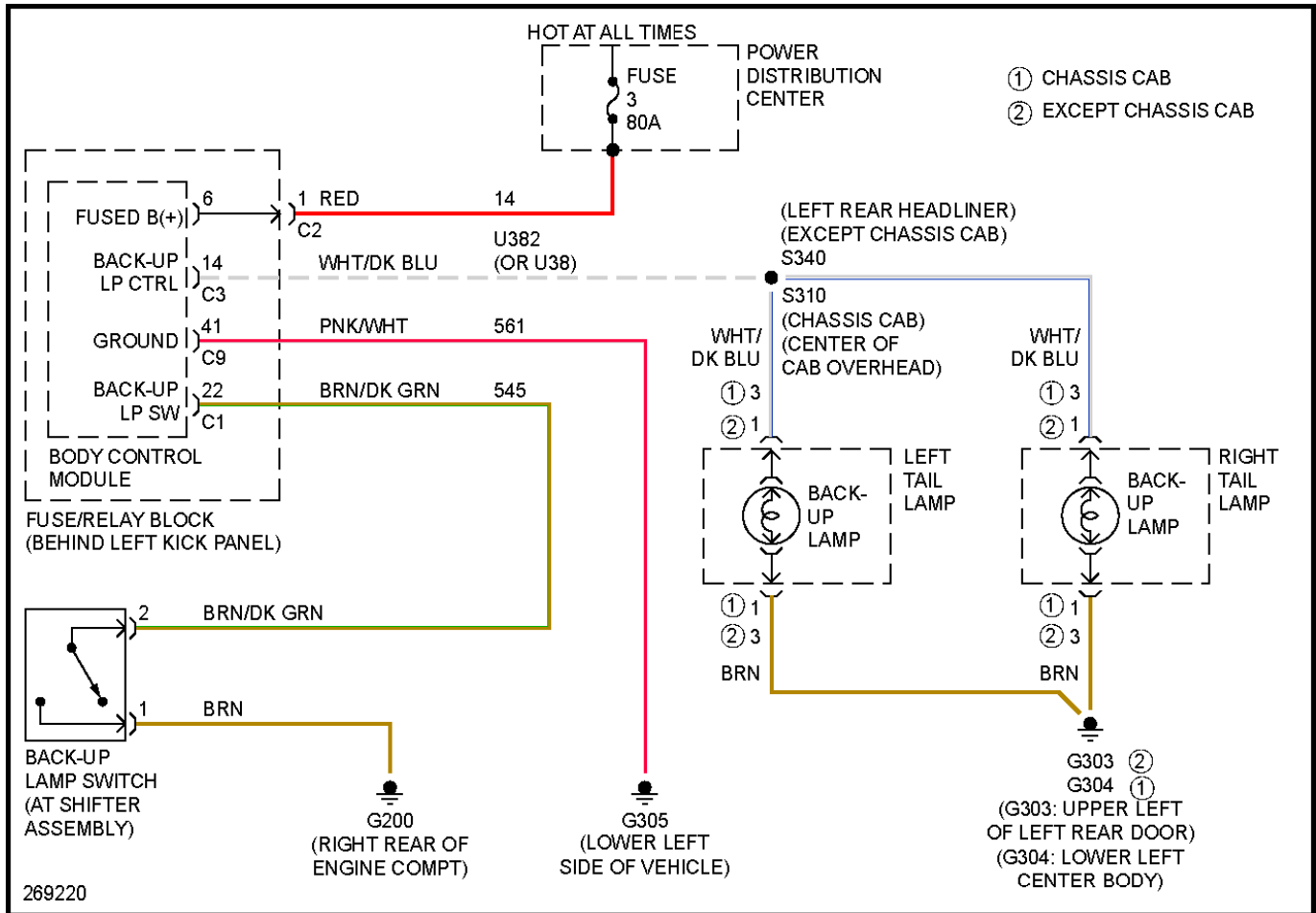


Fig. 26: Back-up Lamps Circuit

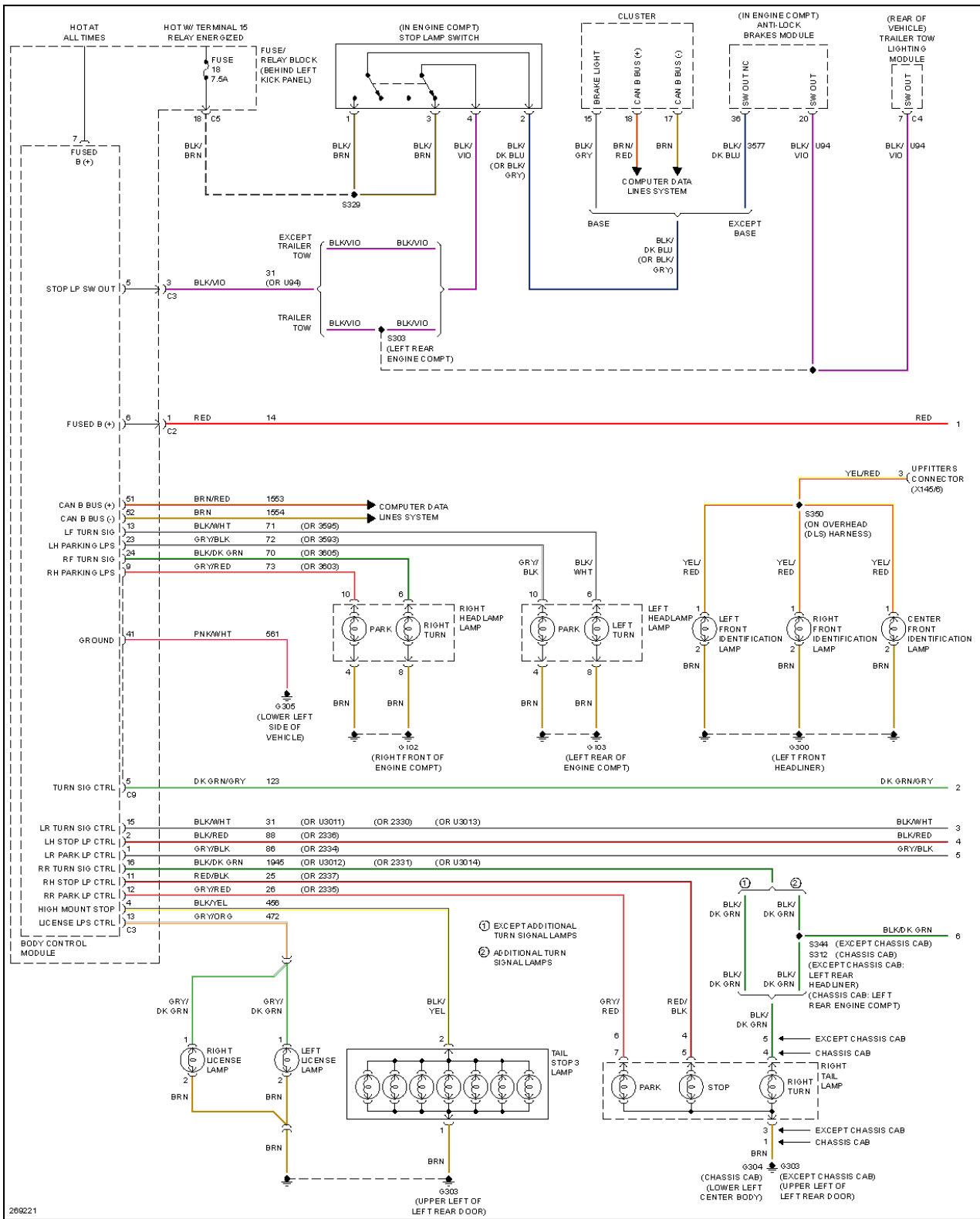


Fig. 27: Exterior Lamps Circuit (1 of 2)

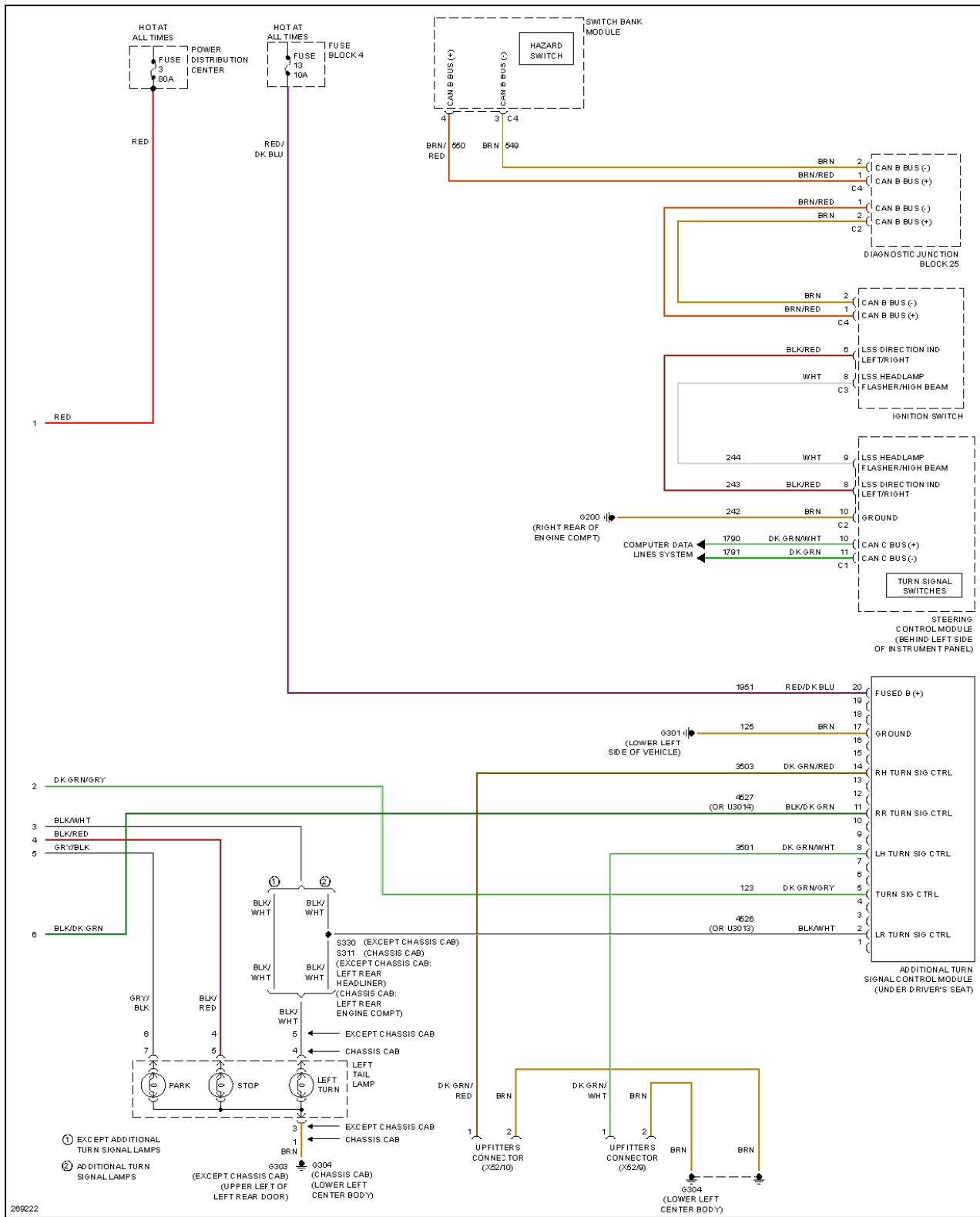


Fig. 28: Exterior Lamps Circuit (2 of 2)

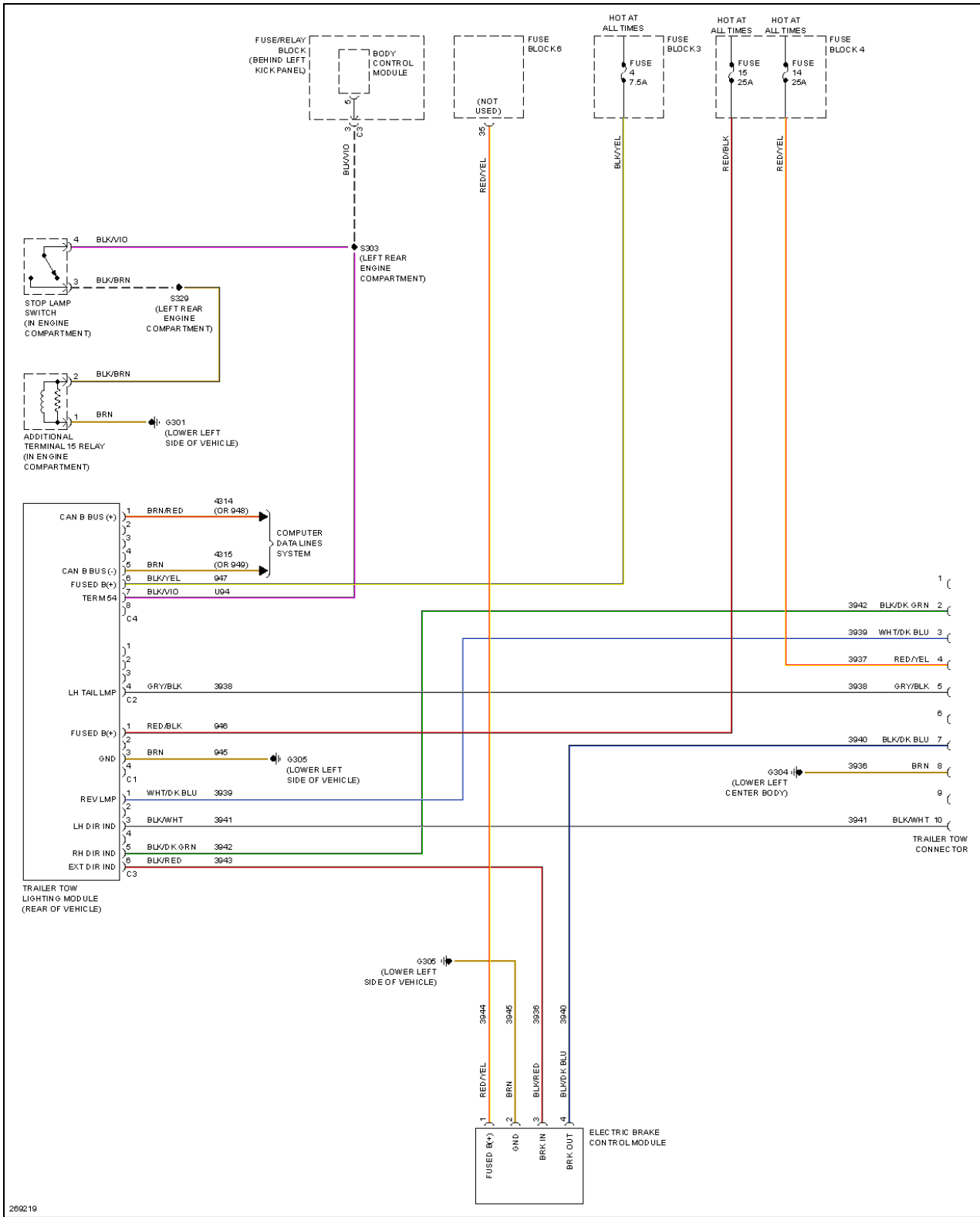
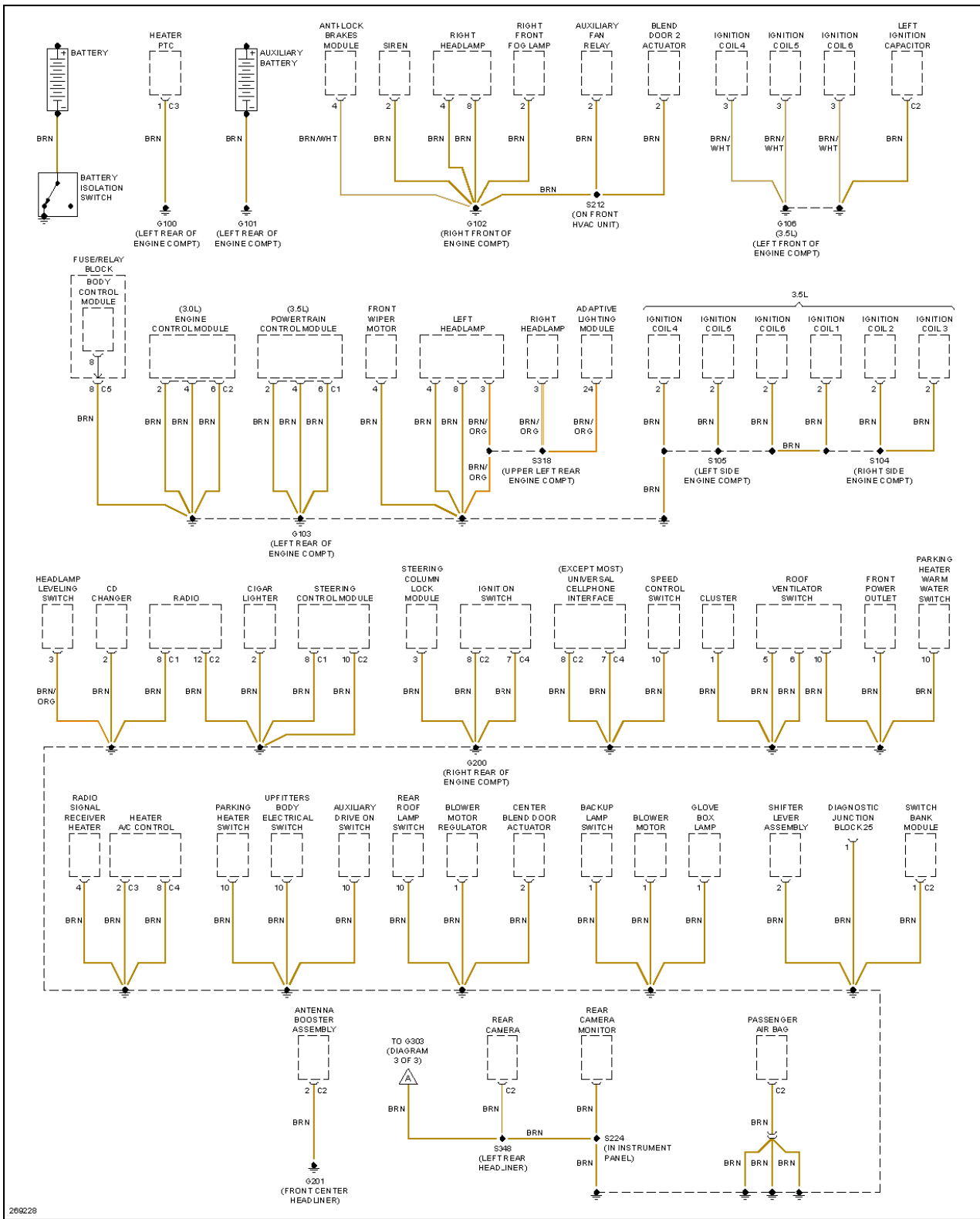
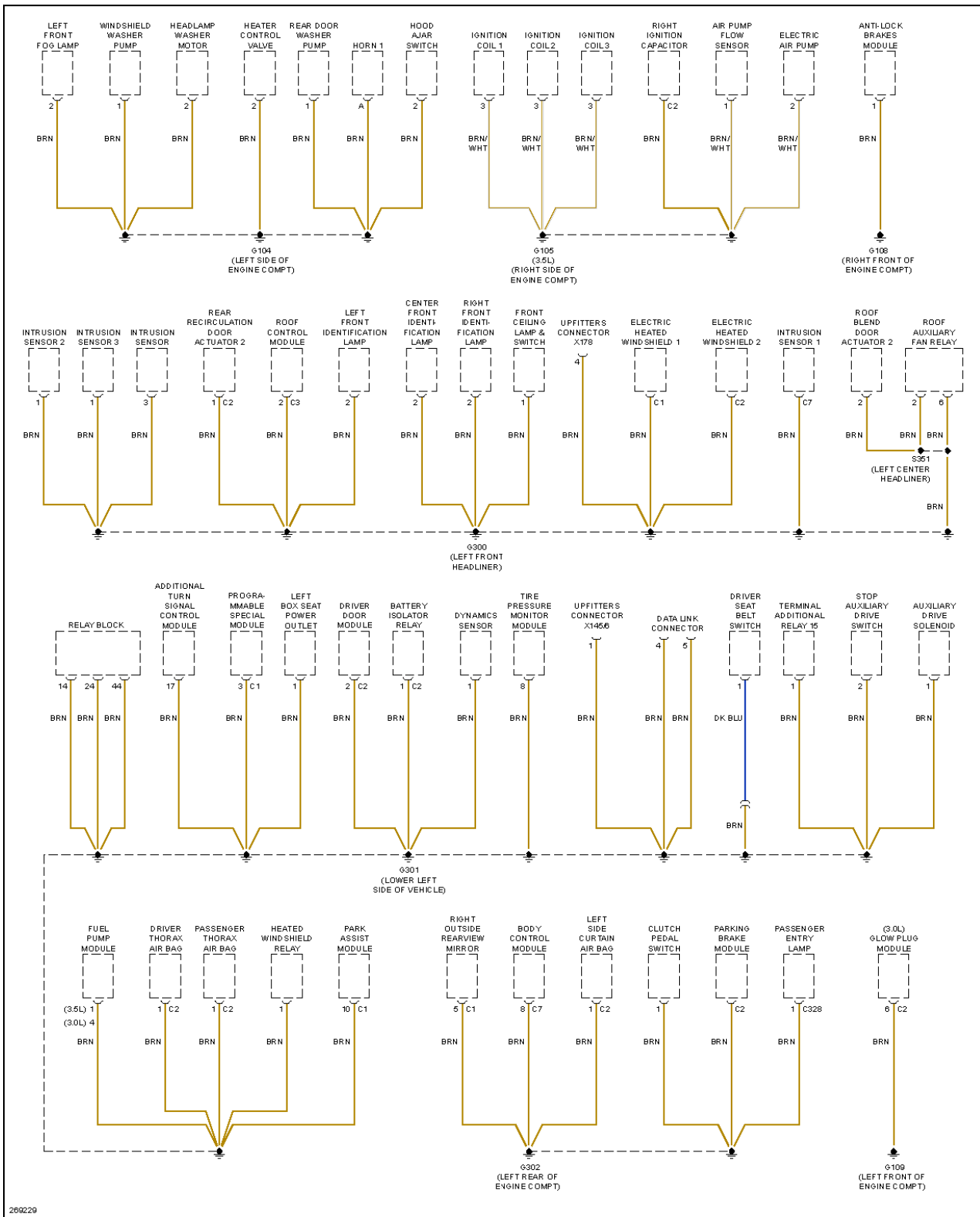


Fig. 29: Trailer Tow Circuit



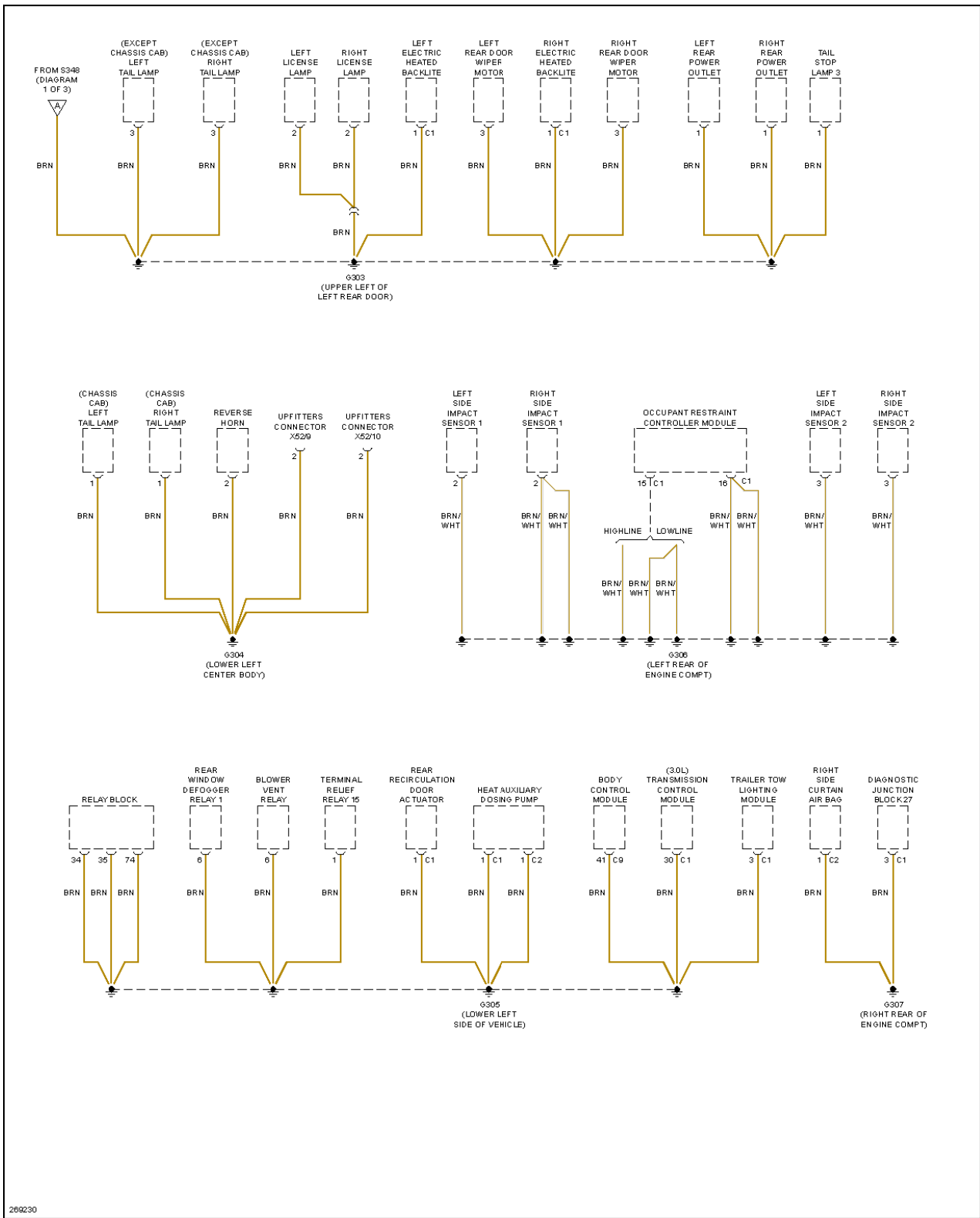
269228

Fig. 30: Ground Distribution Circuit (1 of 3)



269229

Fig. 31: Ground Distribution Circuit (2 of 3)



269230

Fig. 32: Ground Distribution Circuit (3 of 3)

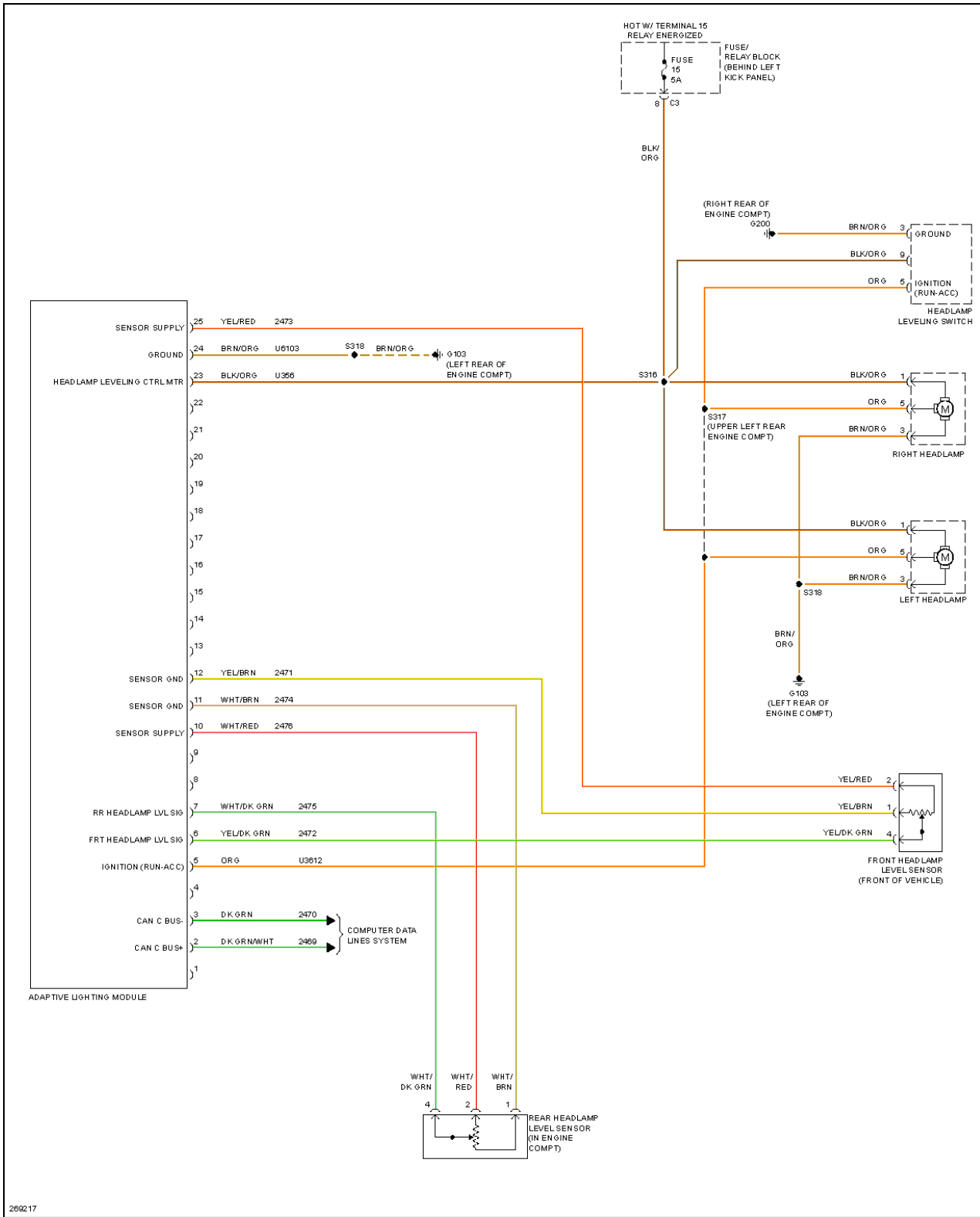


Fig. 33: Adaptive Front Lighting Circuit

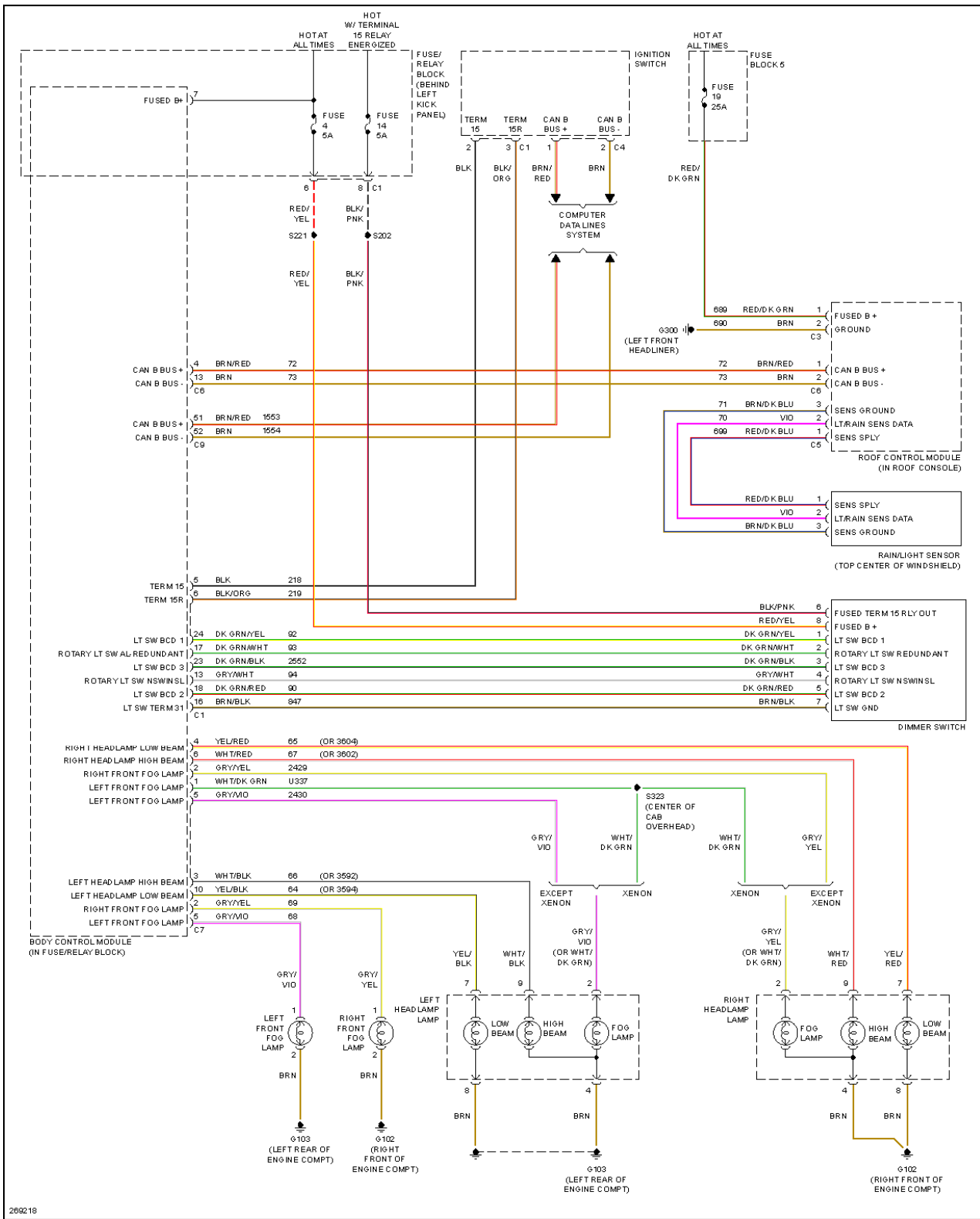


Fig. 34: Headlamps Circuit

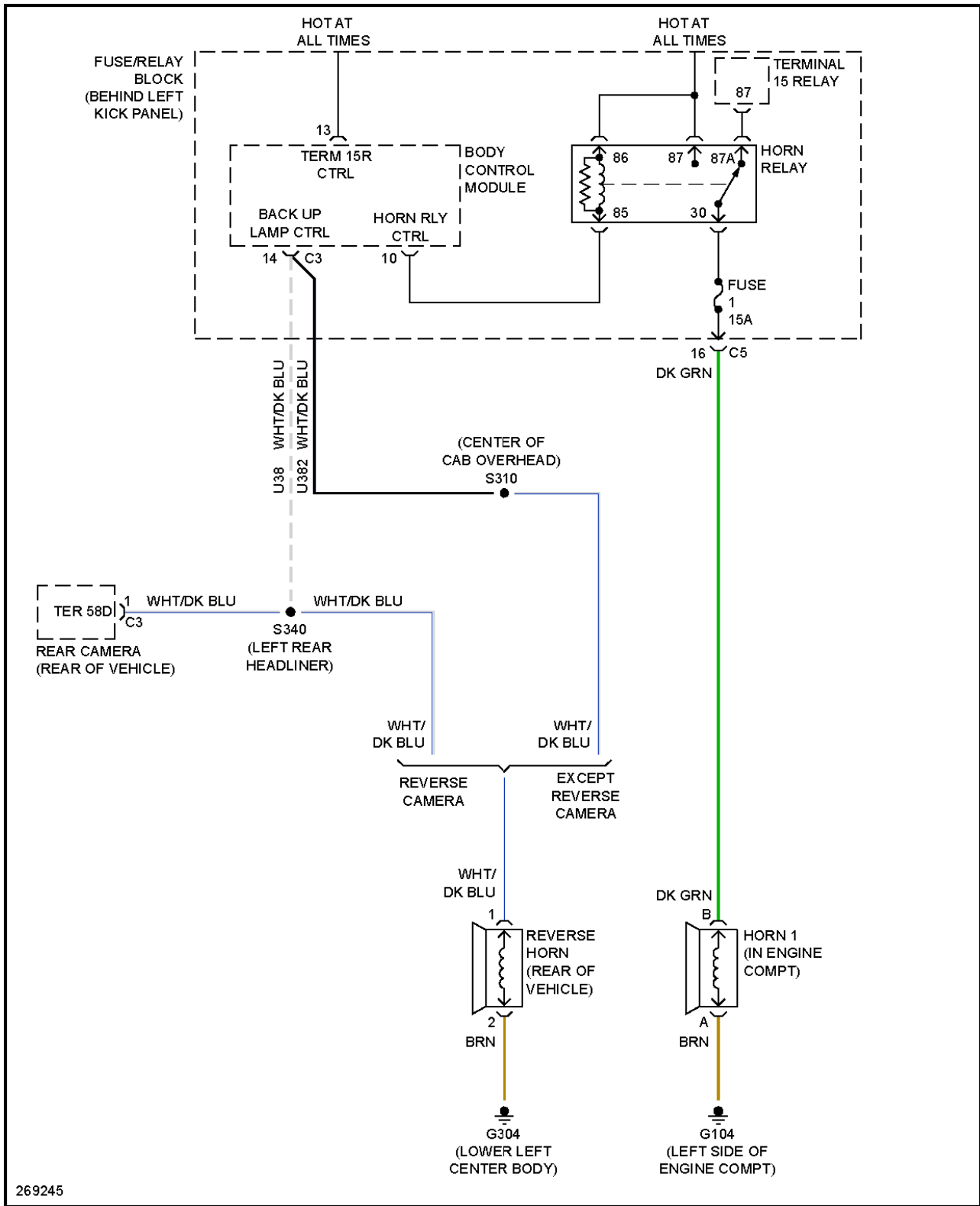


Fig. 35: Horn Circuit

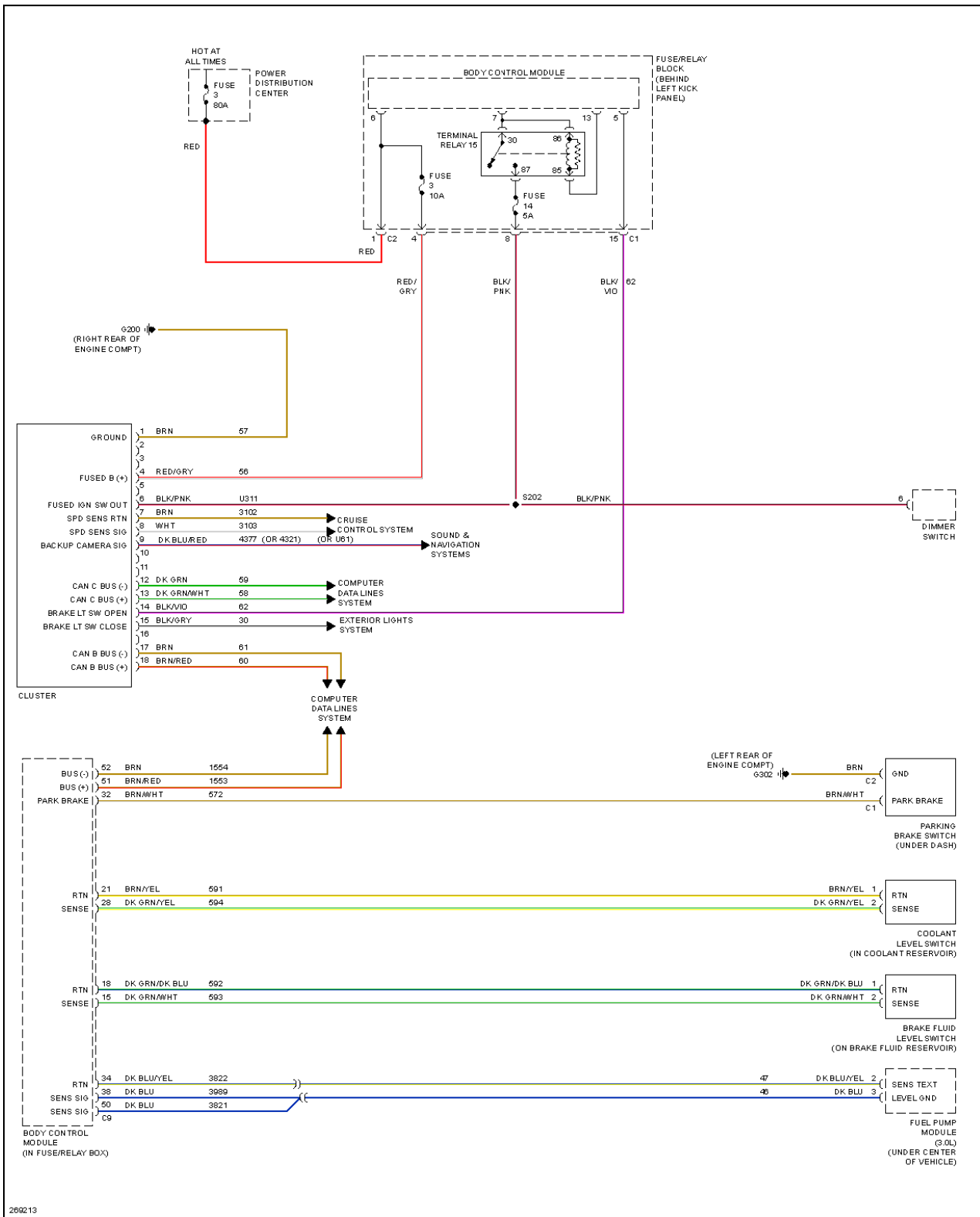


Fig. 36: Instrument Cluster Circuit

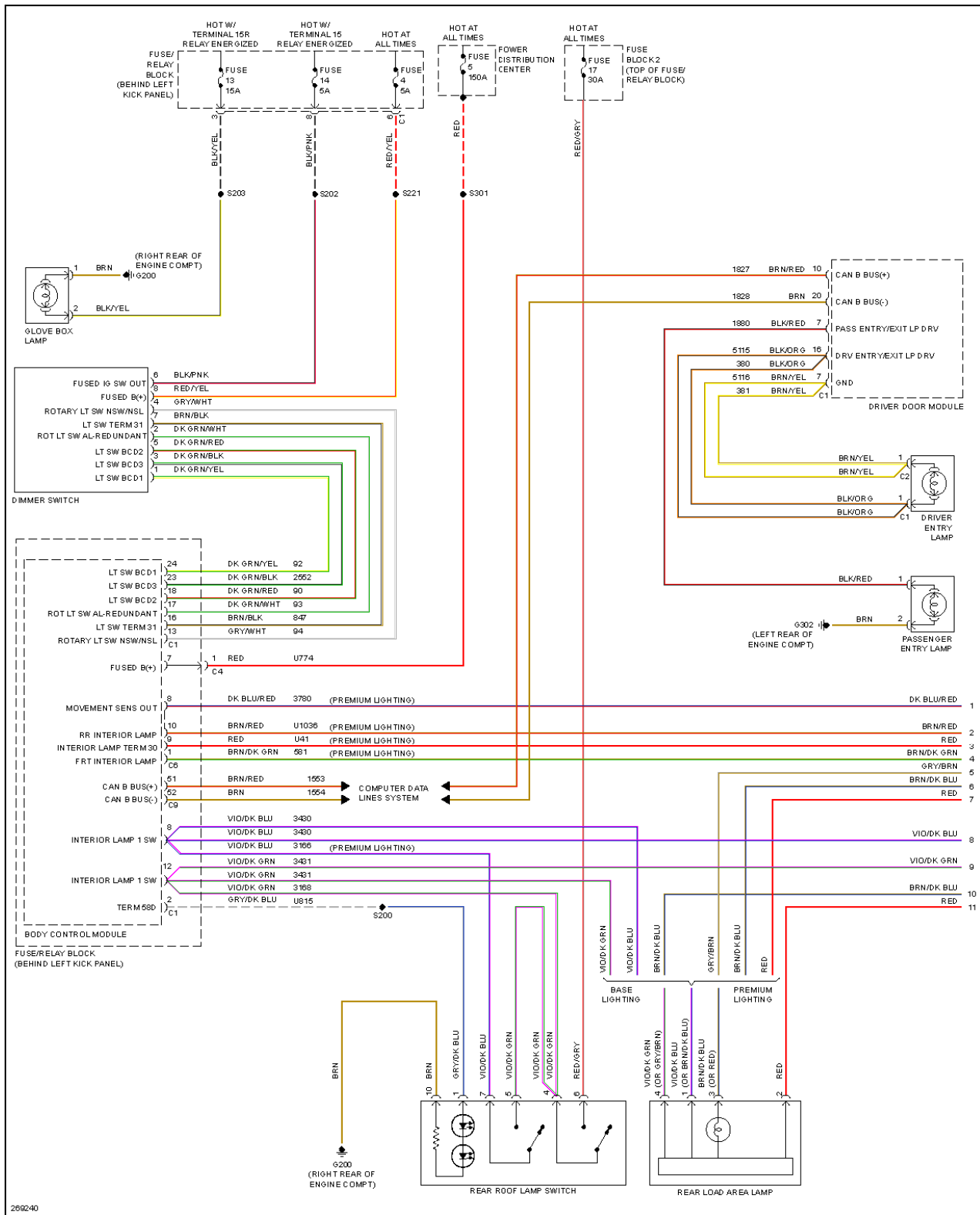


Fig. 37: Courtesy Lamps Circuit (1 of 2)

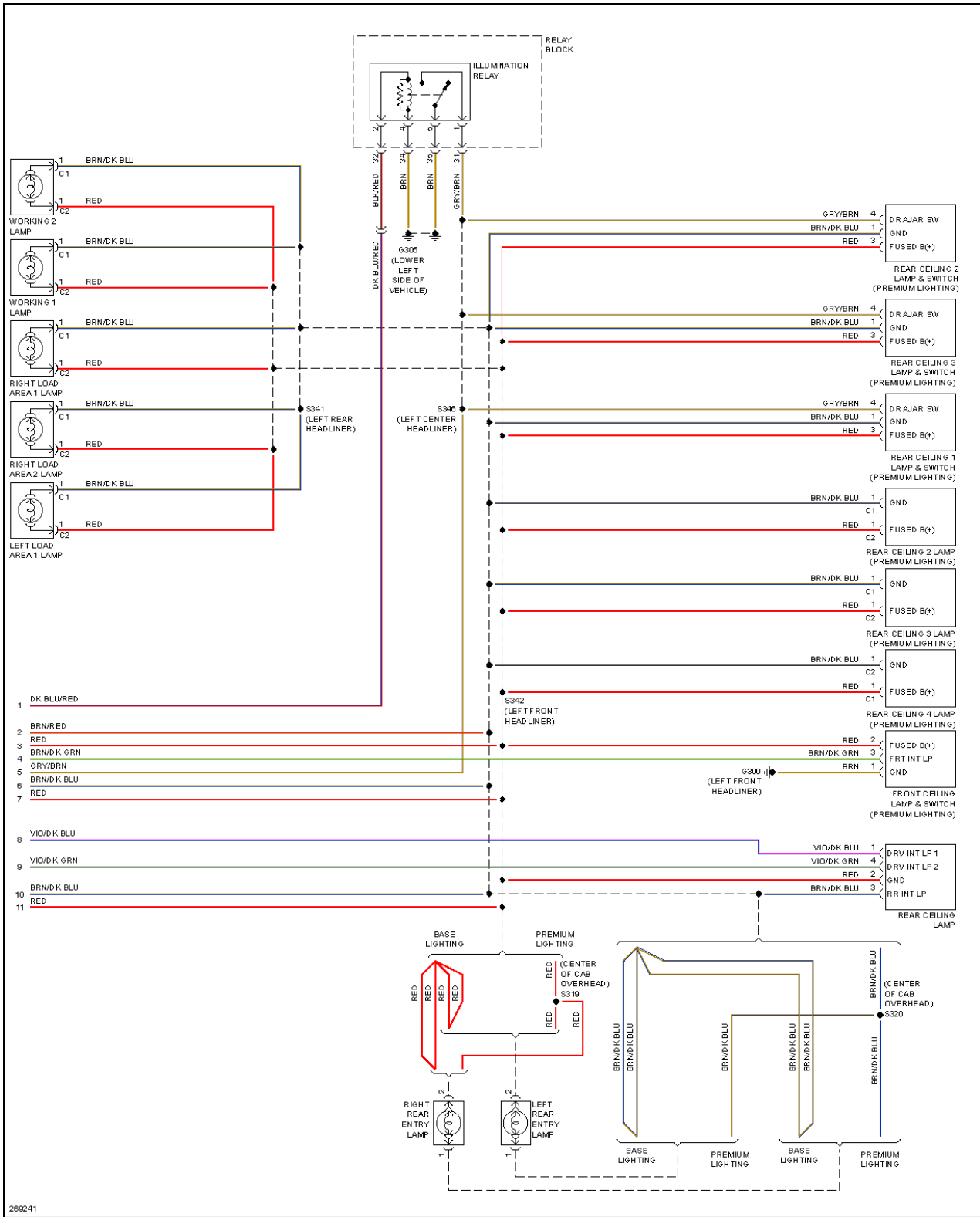


Fig. 38: Courtesy Lamps Circuit (2 of 2)

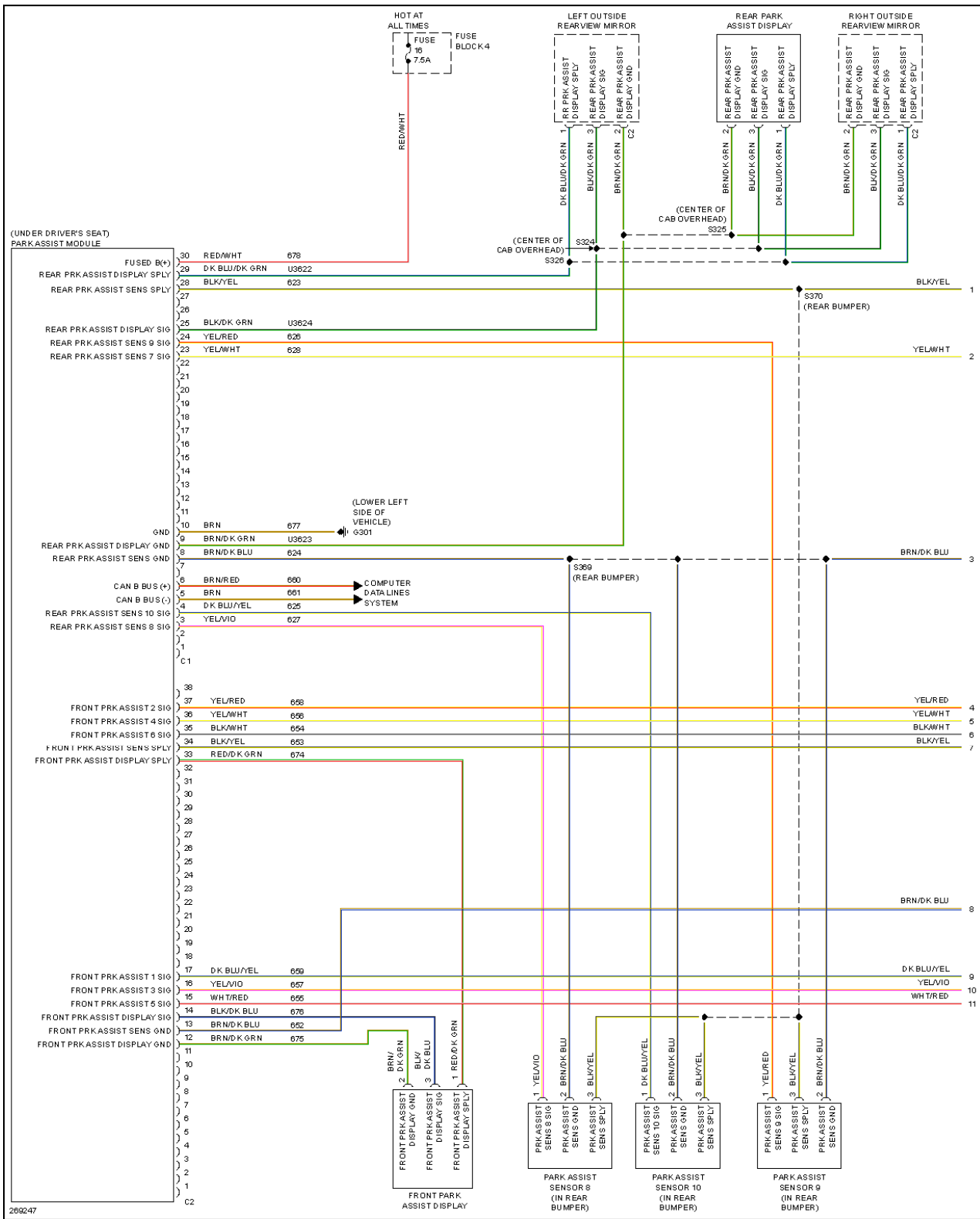


Fig. 39: Parking Assistant Circuit (1 of 2)

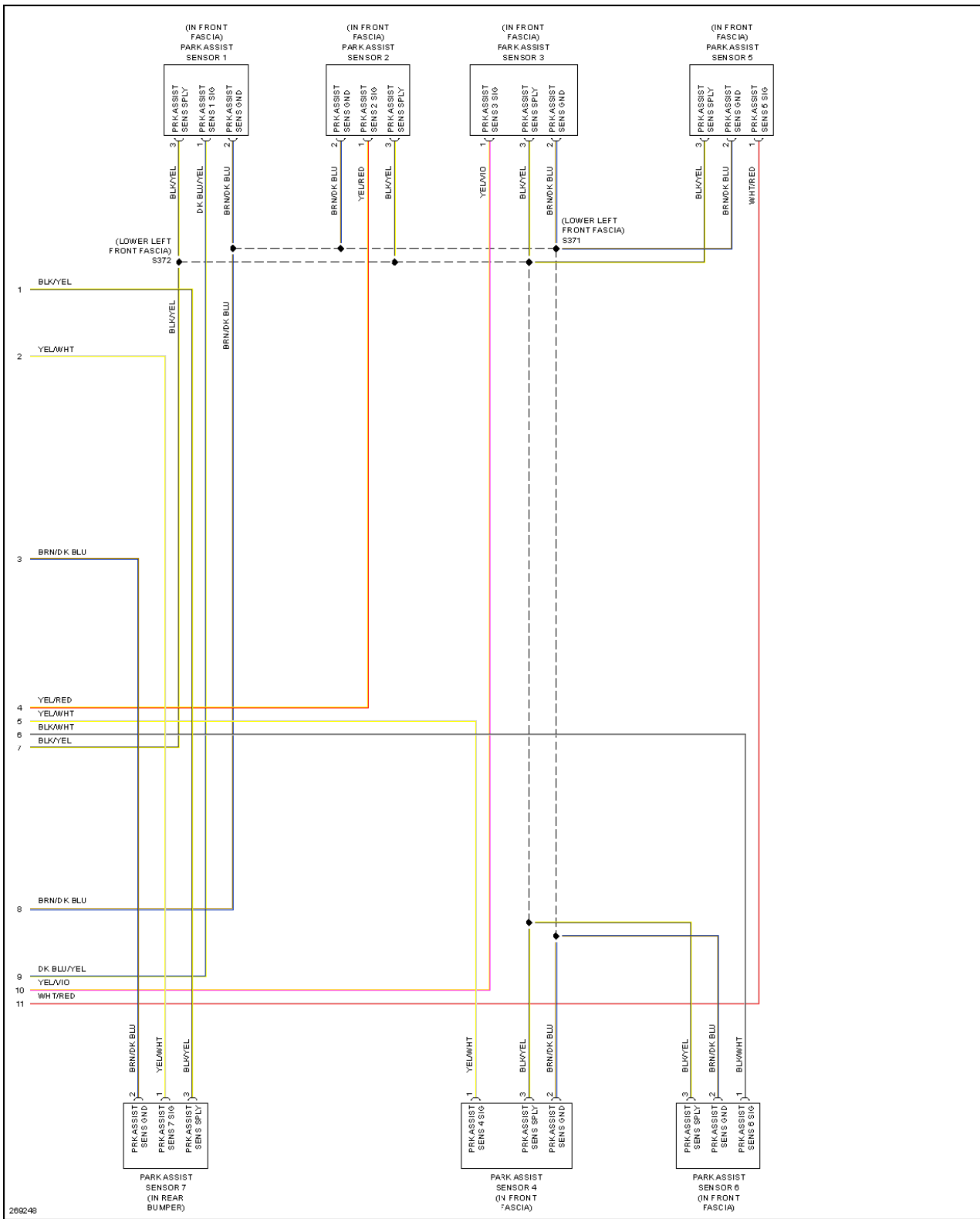


Fig. 40: Parking Assistant Circuit (2 of 2)

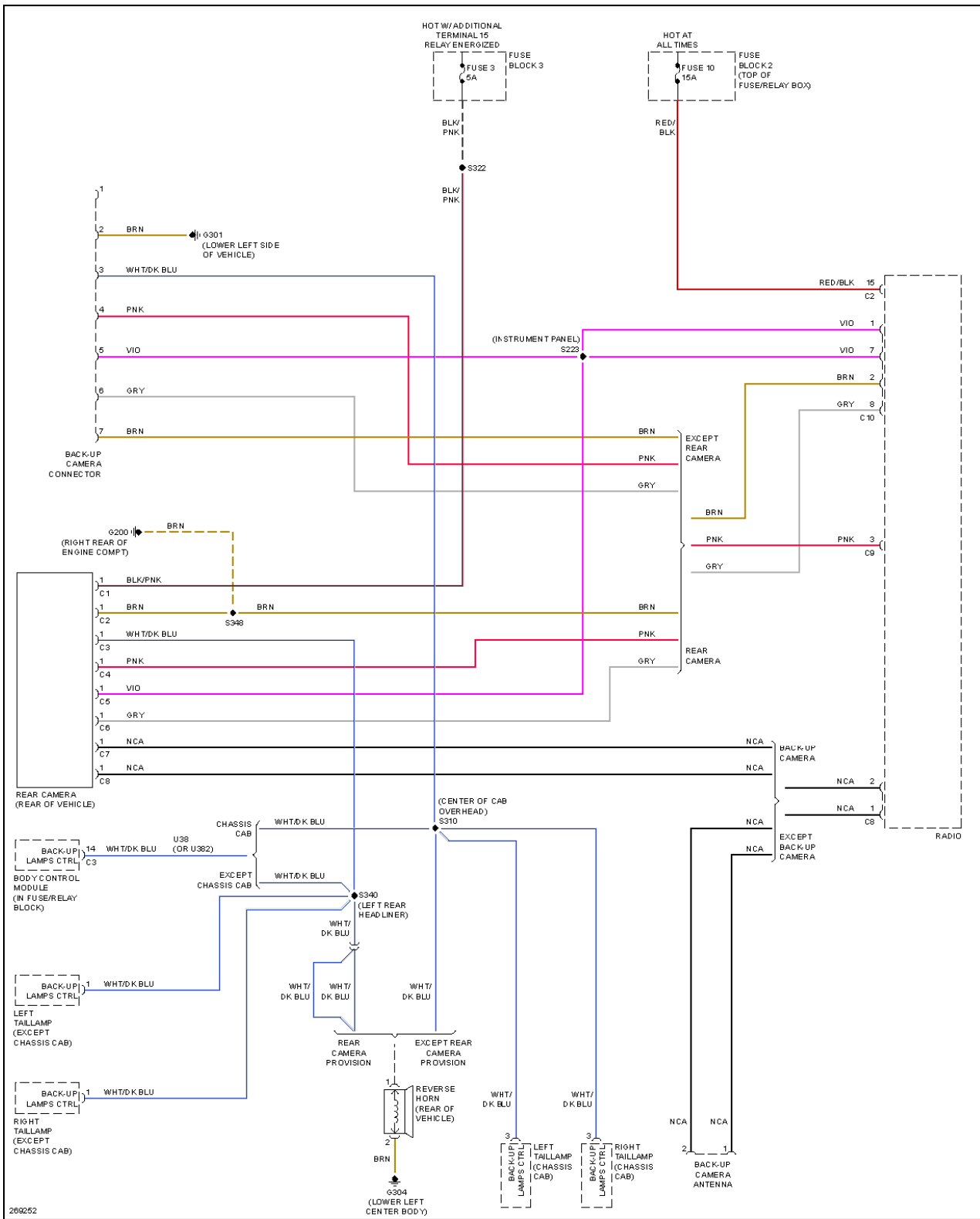


Fig. 41: Rear Camera Circuit, W/ Monitor Preinstallation

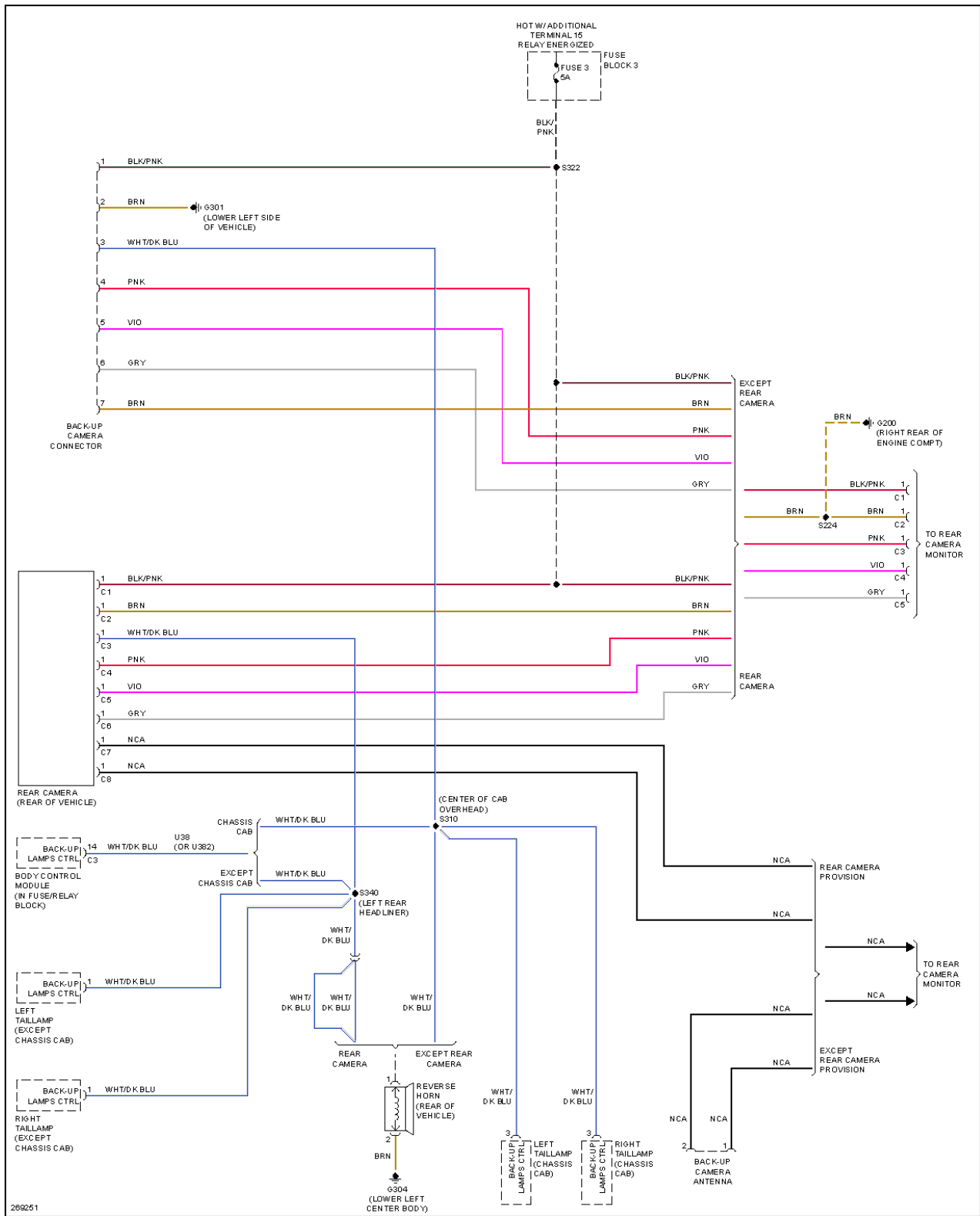


Fig. 42: Rear Camera Circuit, W/O Monitor Preinstallation

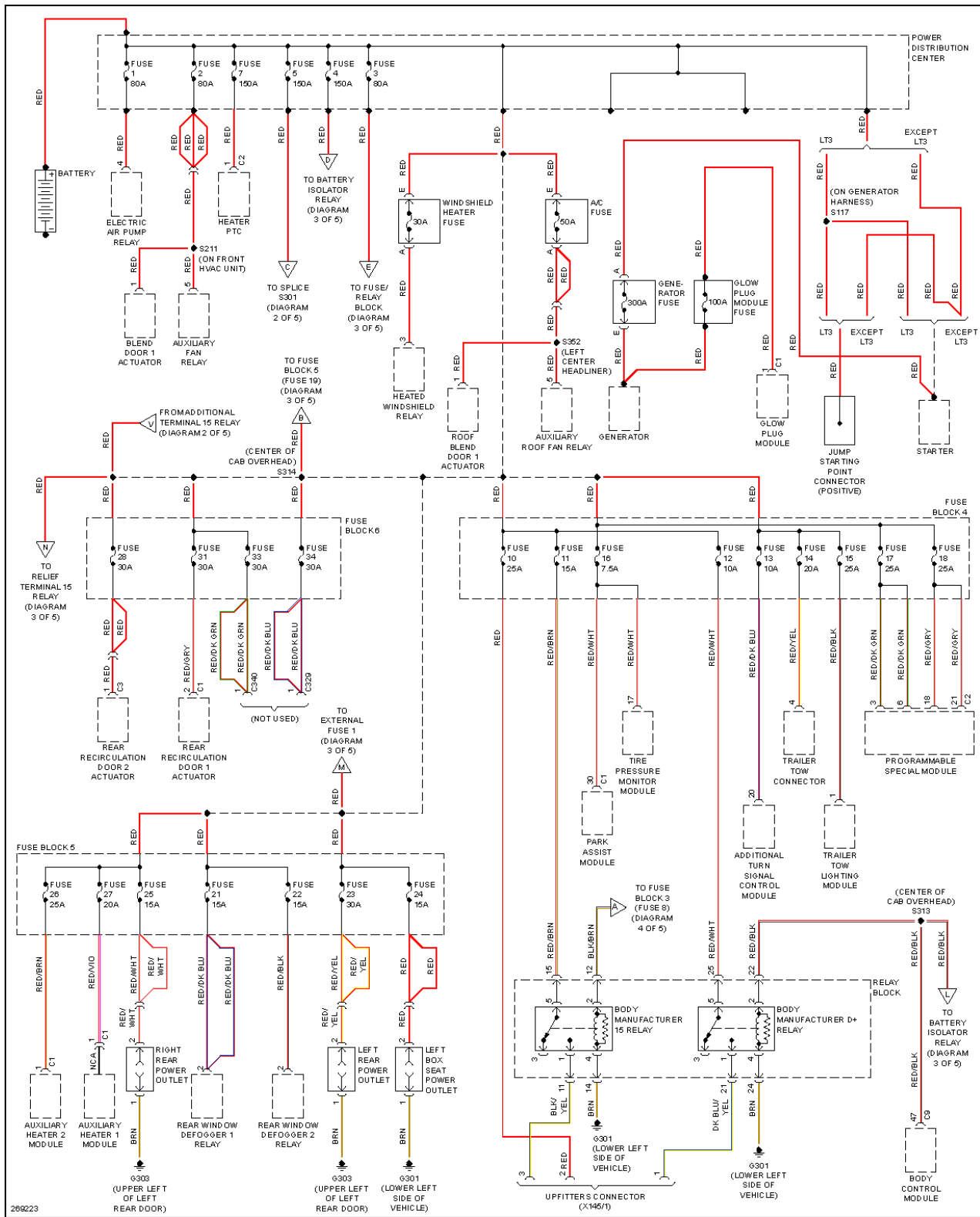
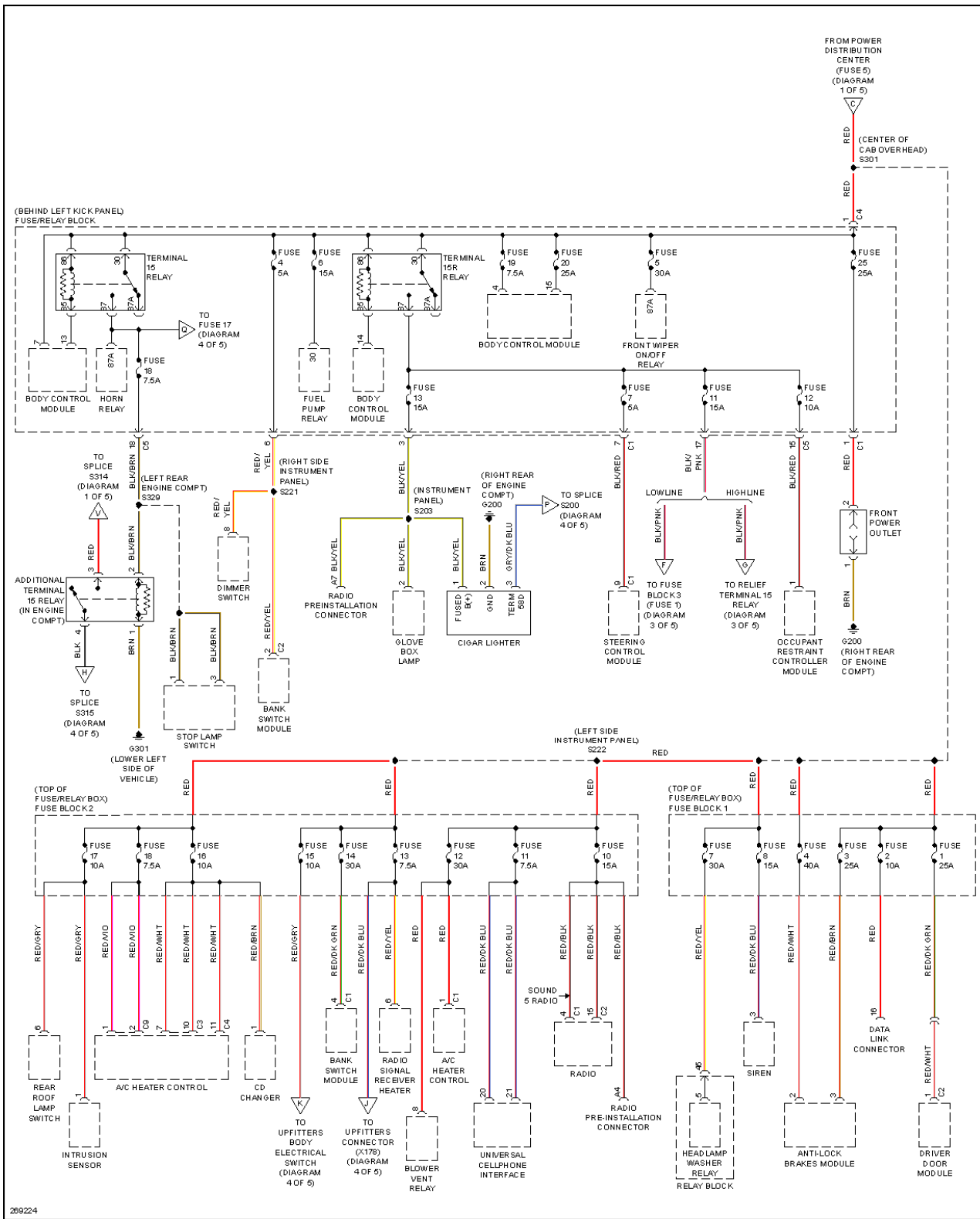


Fig. 43: Power Distribution Circuit (1 of 5)



269224

Fig. 44: Power Distribution Circuit (2 of 5)

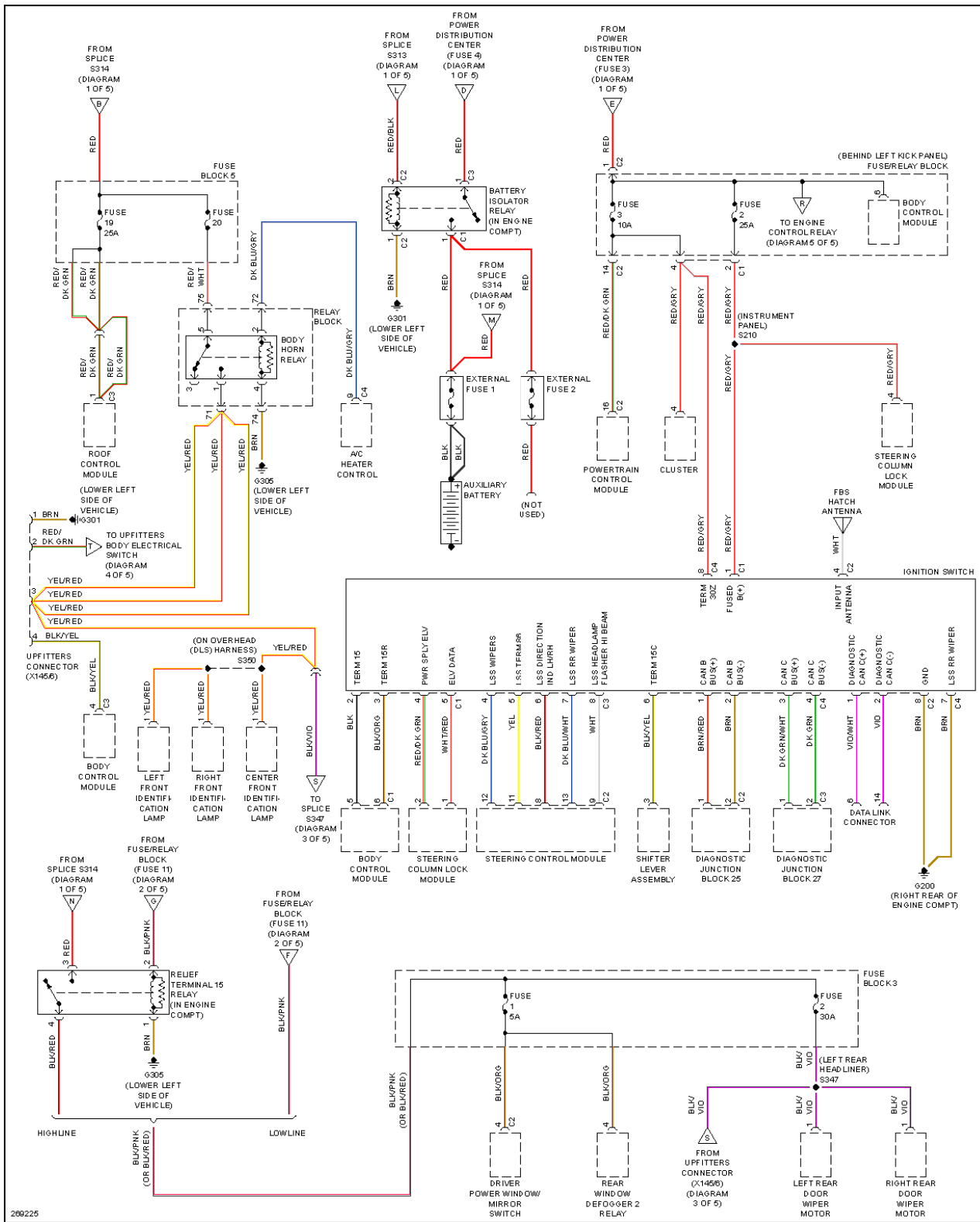
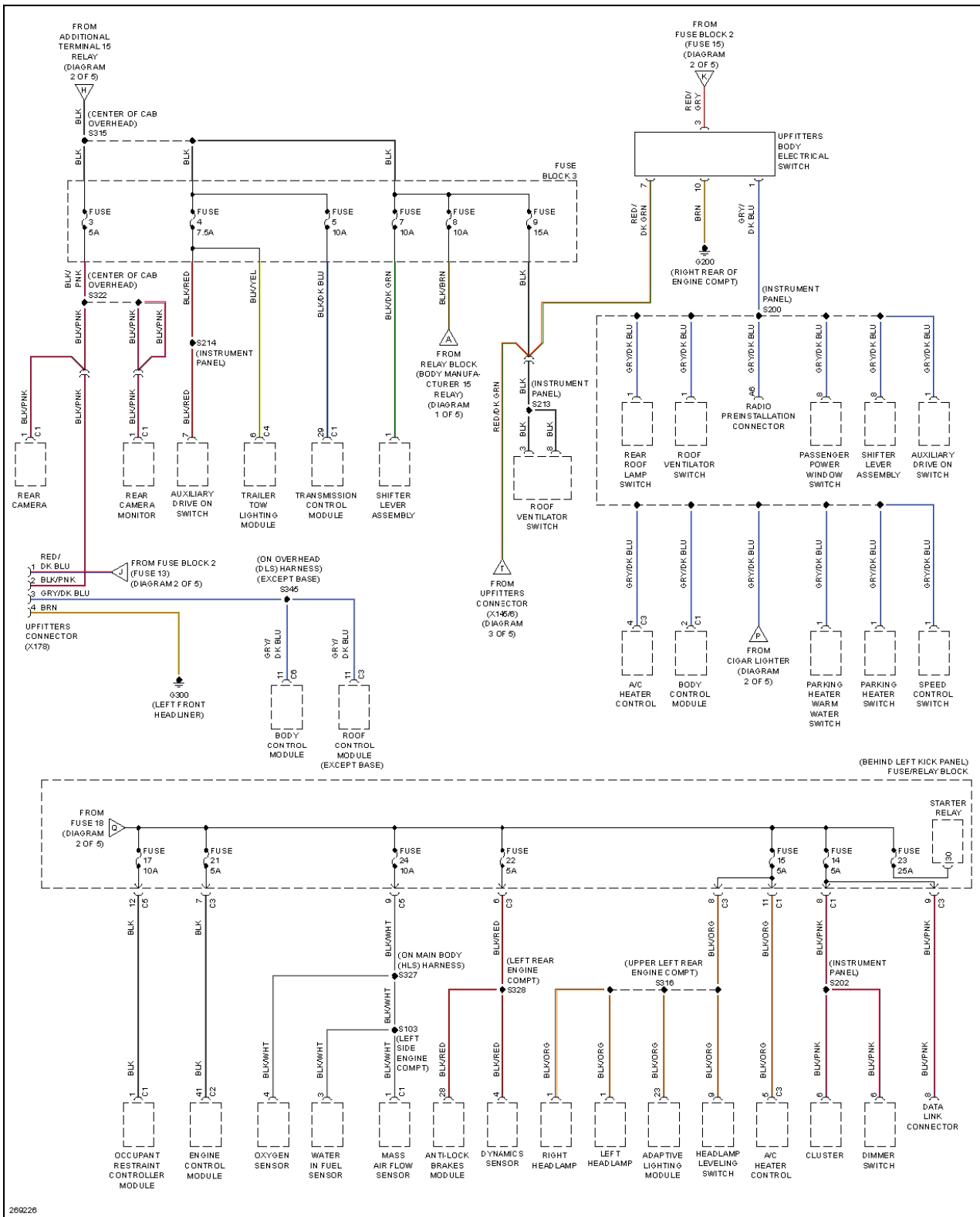


Fig. 45: Power Distribution Circuit (3 of 5)



269226

Fig. 46: Power Distribution Circuit (4 of 5)

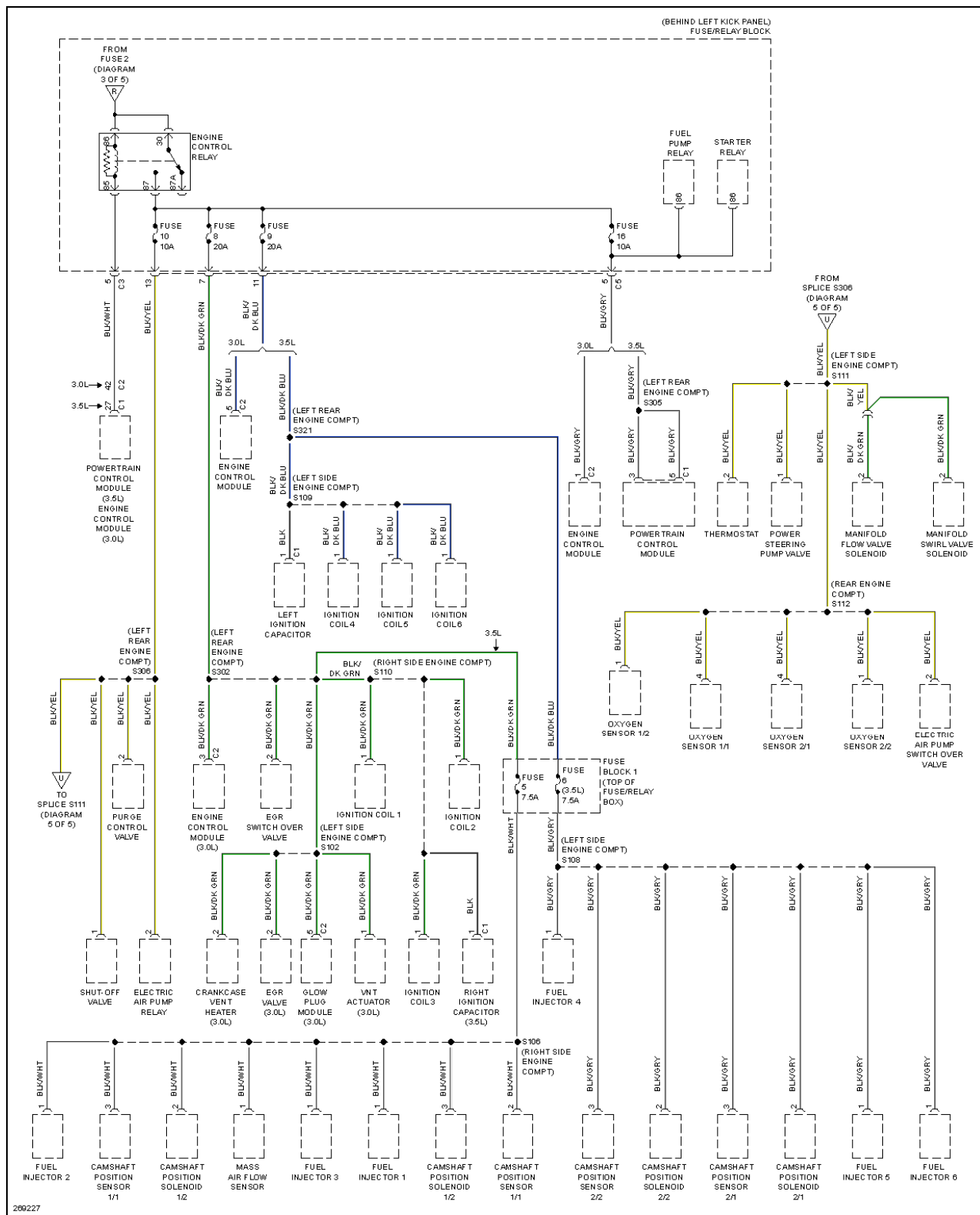


Fig. 47: Power Distribution Circuit (5 of 5)

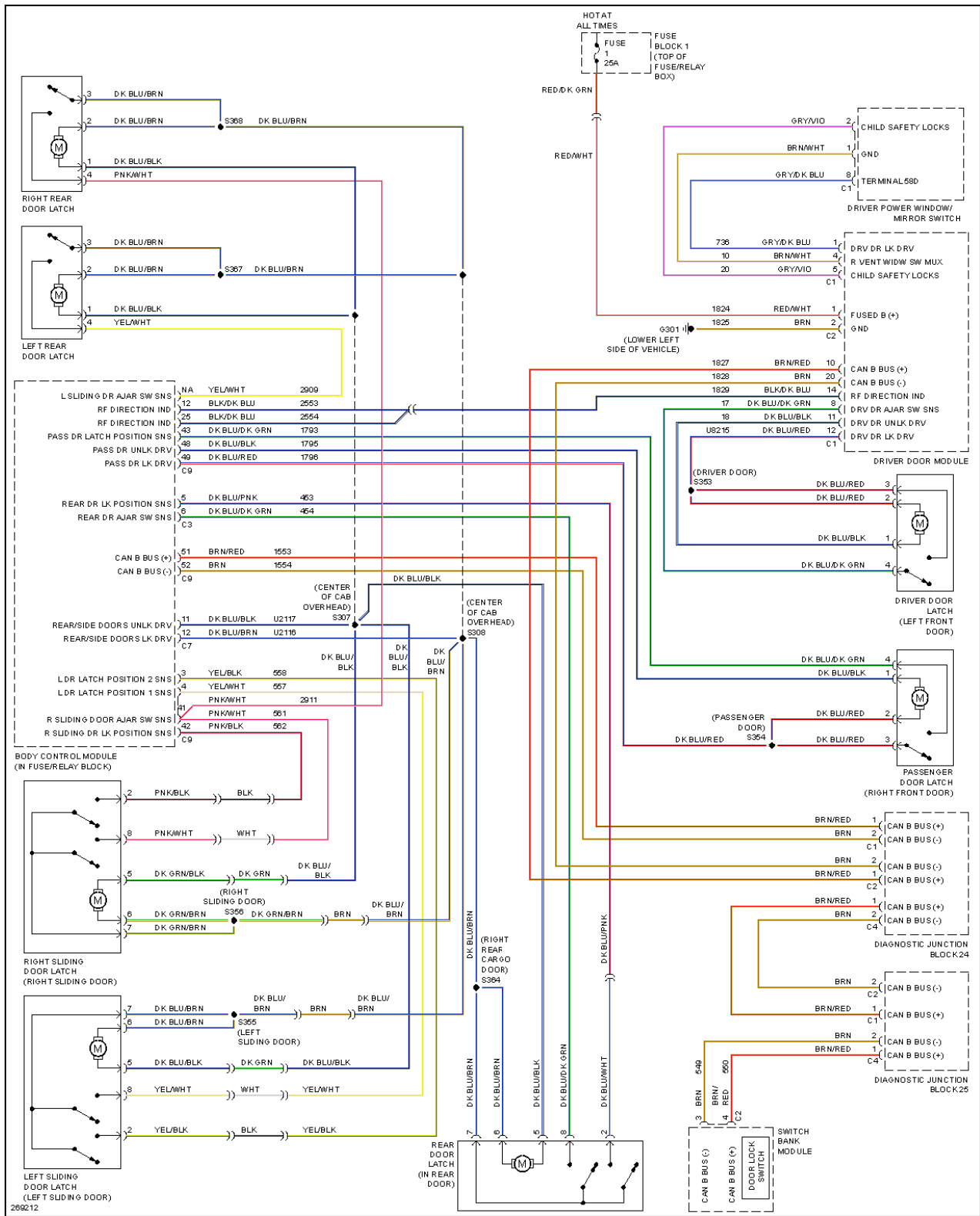


Fig. 48: Power Door Locks Circuit

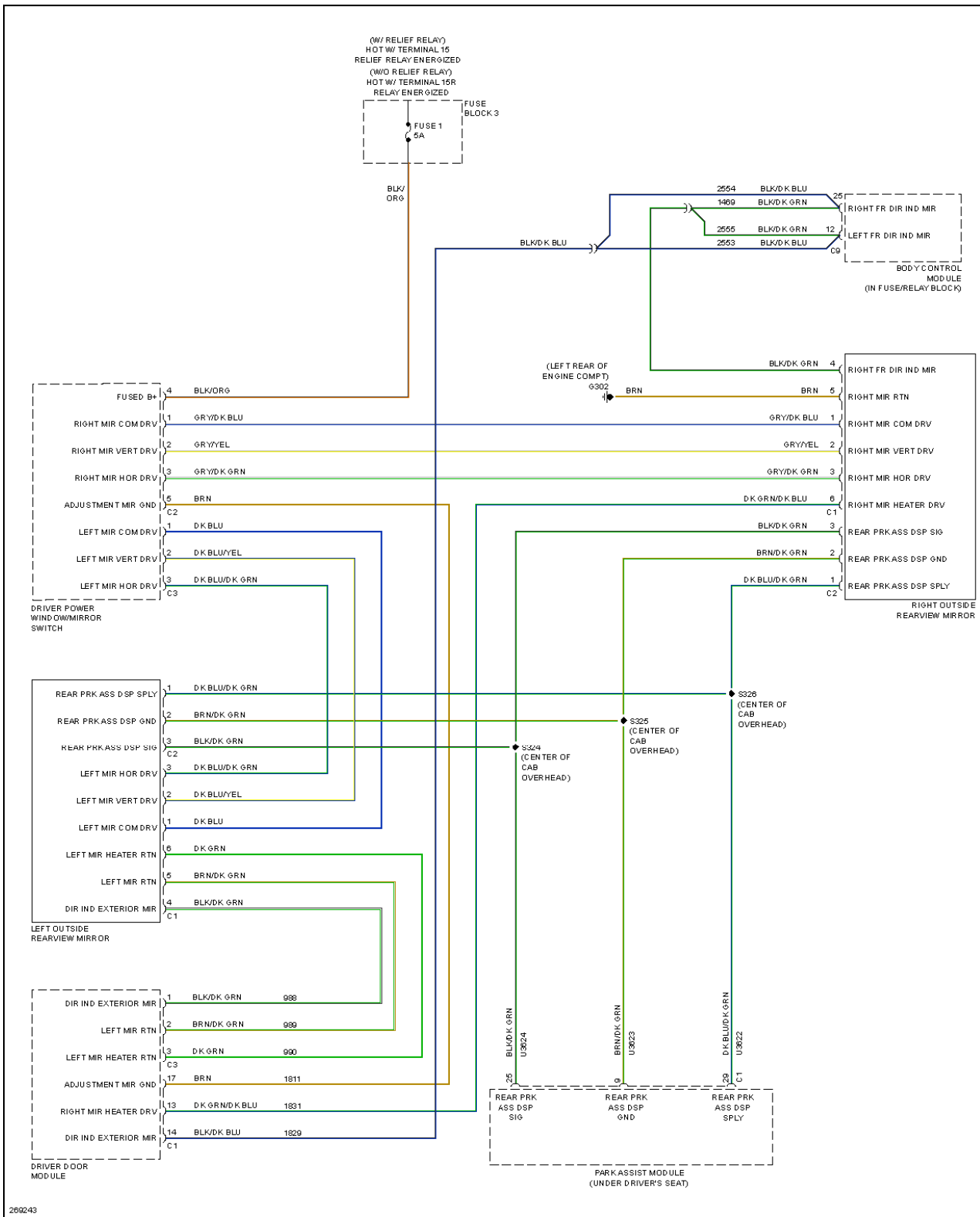
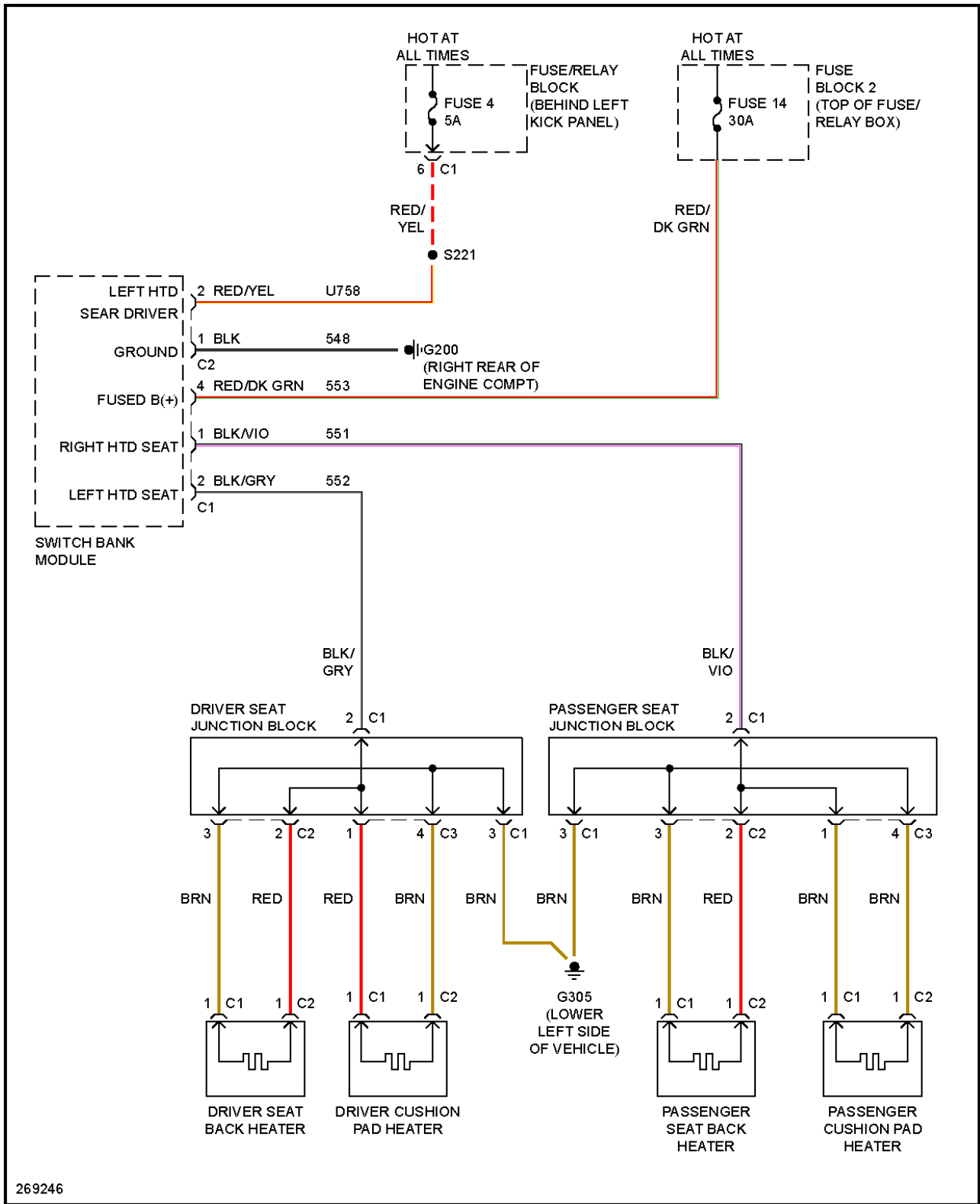


Fig. 49: Power Mirrors Circuit



269246

Fig. 50: Power Seats Circuit

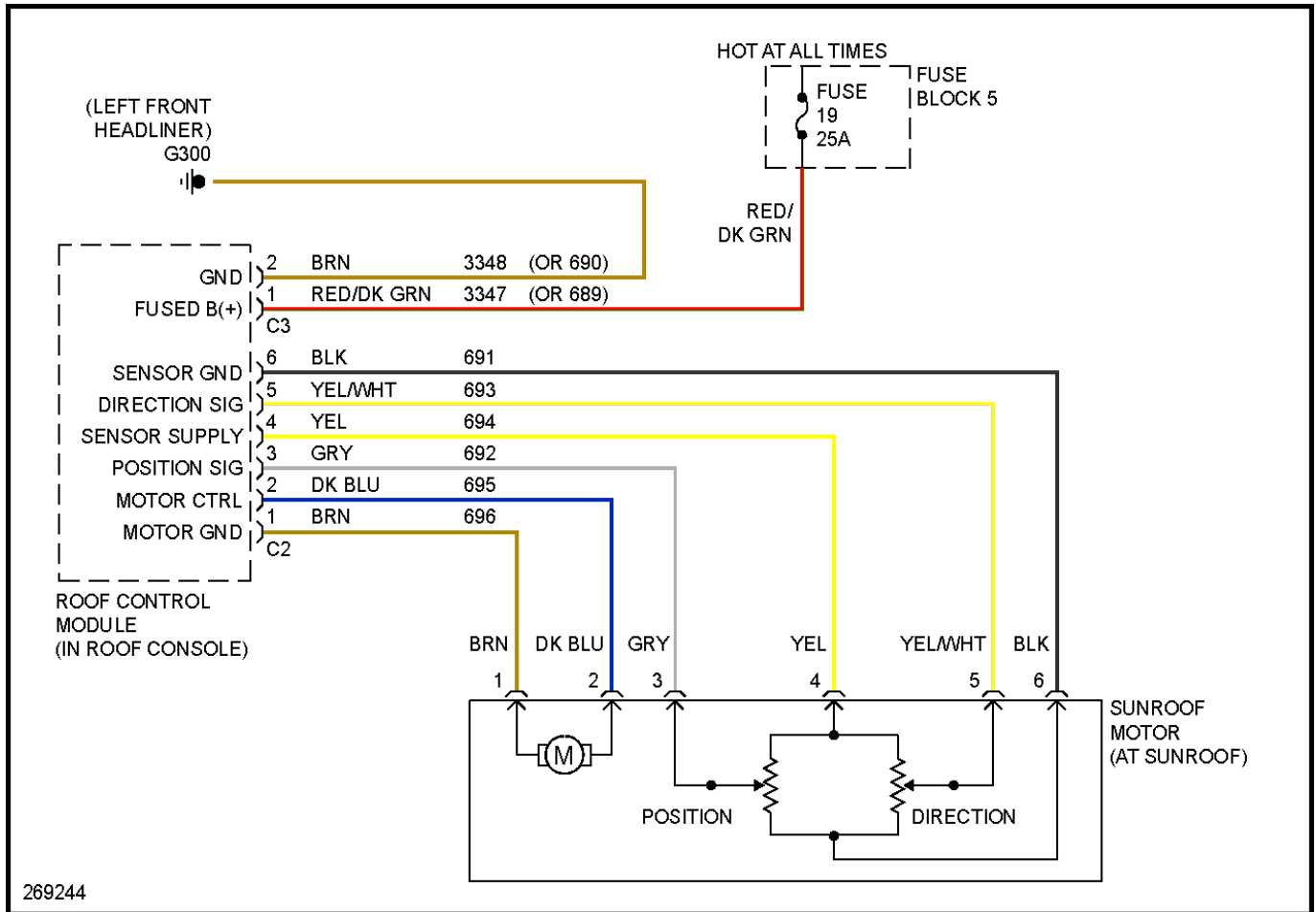


Fig. 51: Power Top/Sunroof Circuit

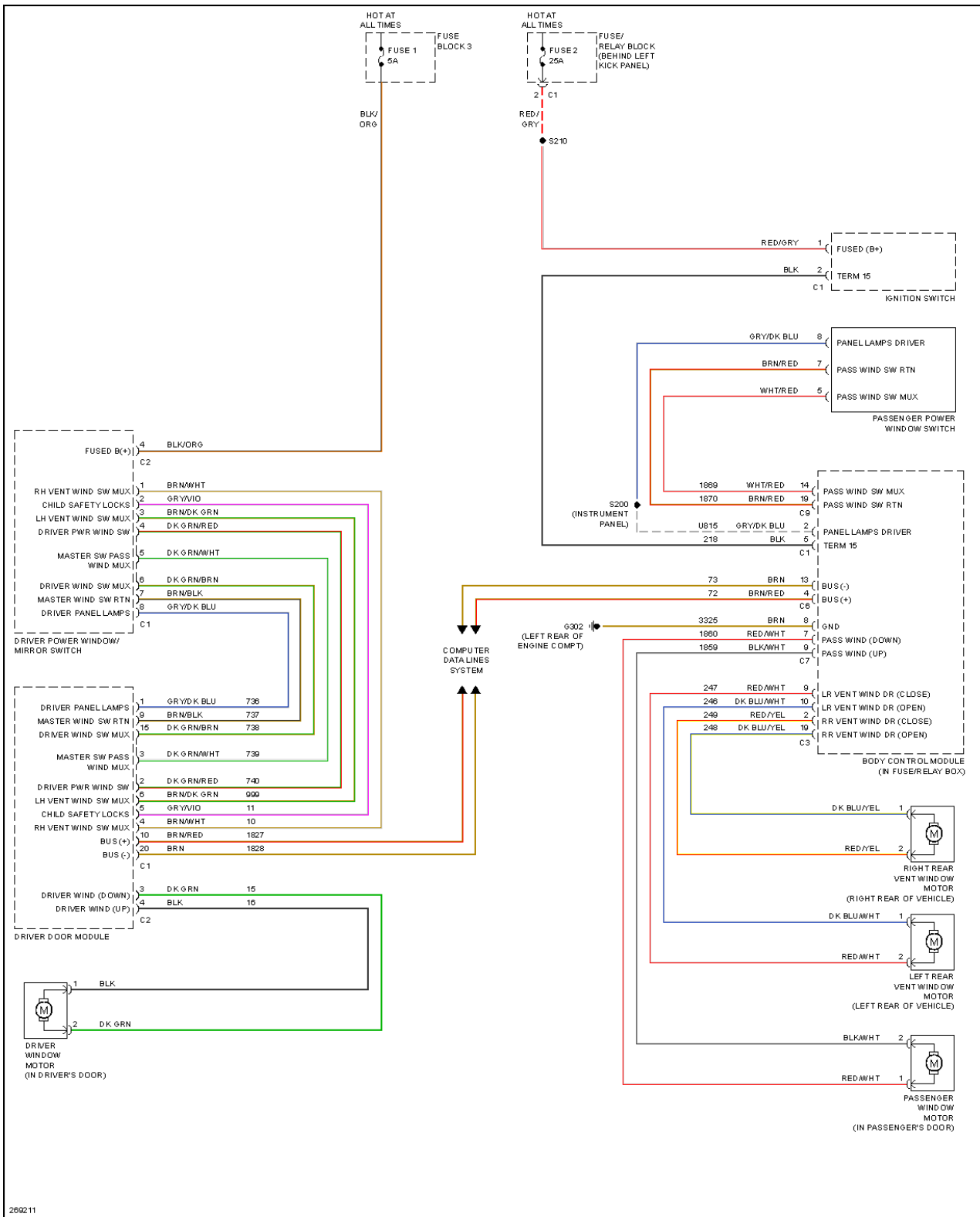


Fig. 52: Power Windows Circuit

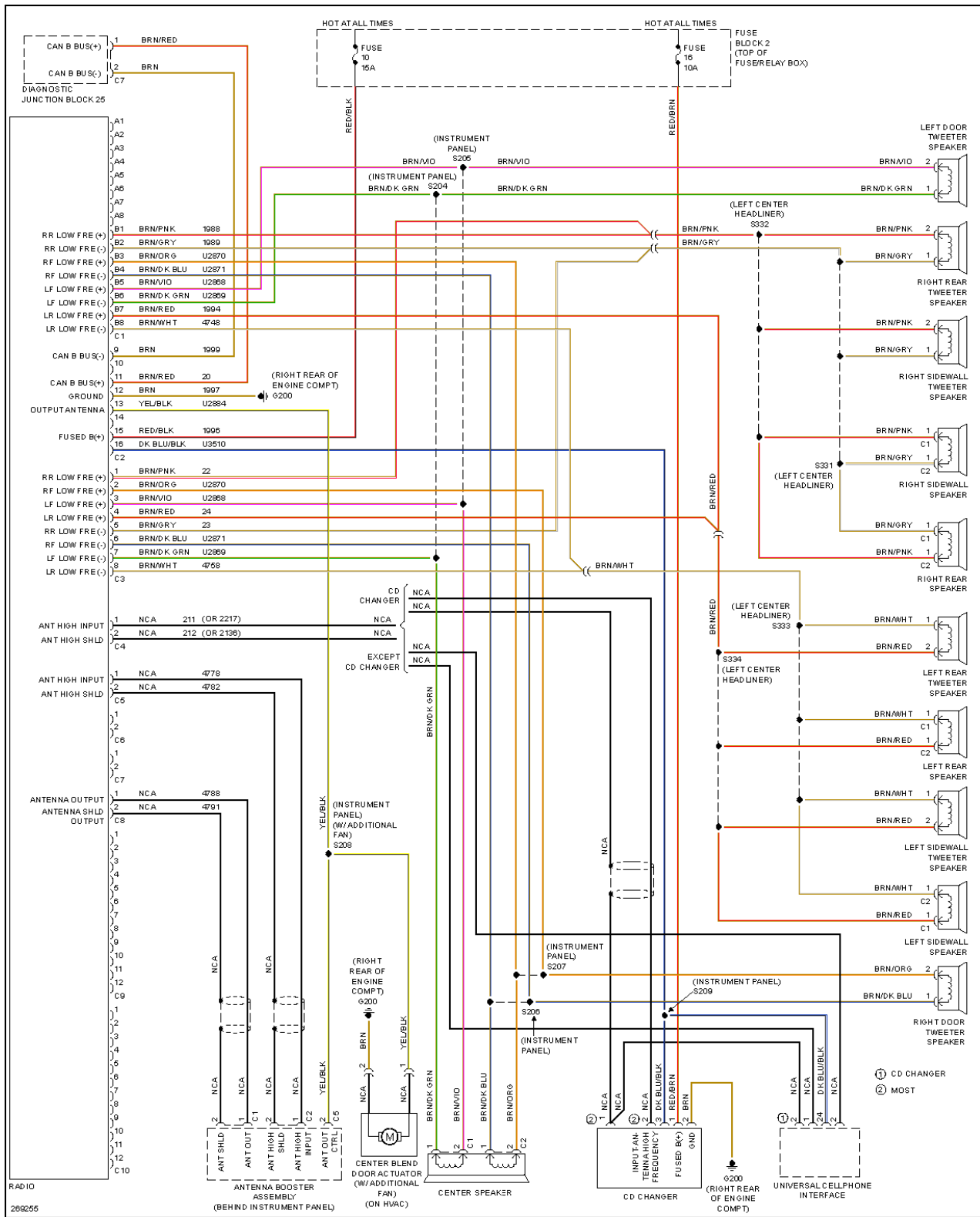


Fig. 53: Radio Circuit, Sound 20

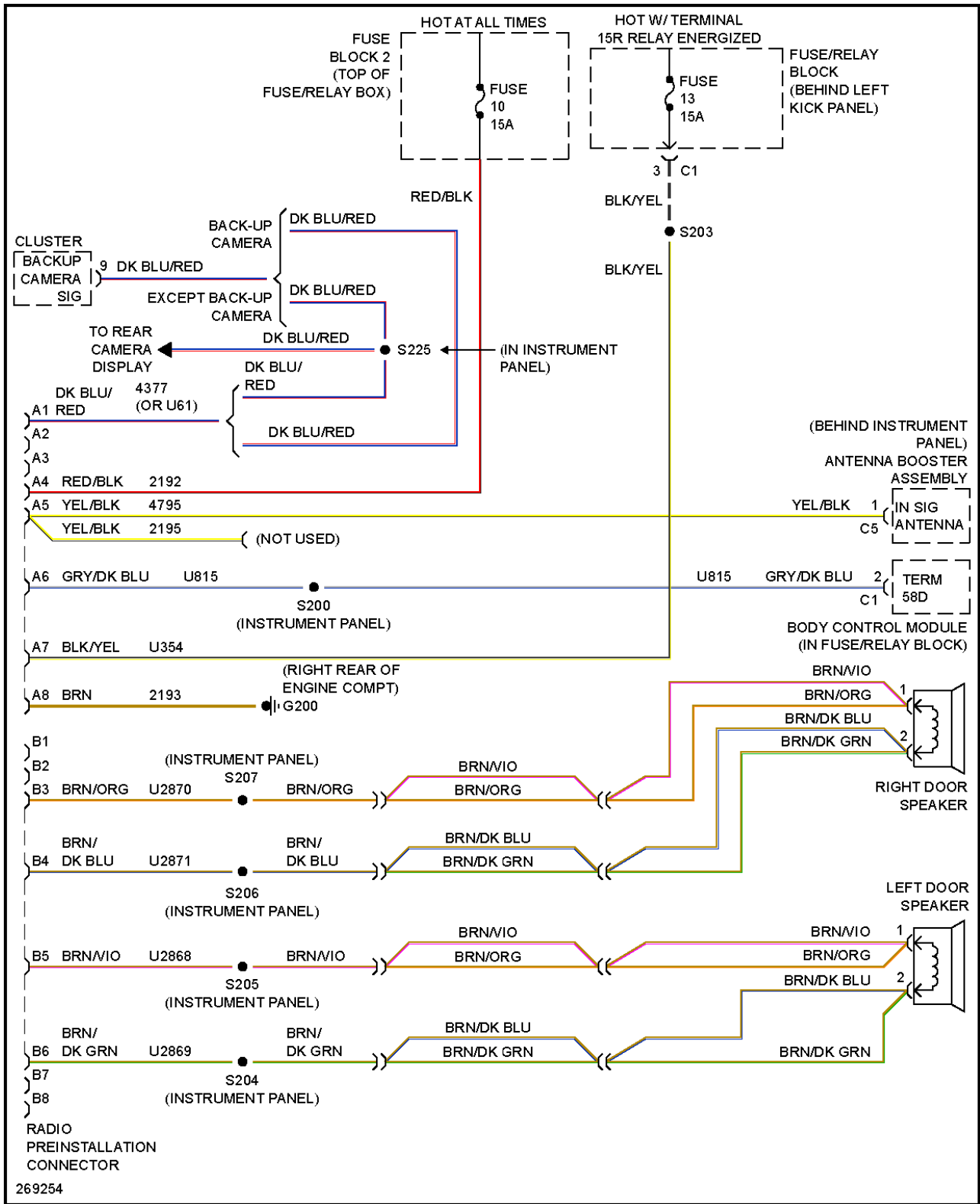


Fig. 54: Radio Circuit, Sound 5 W/ Preinstallation

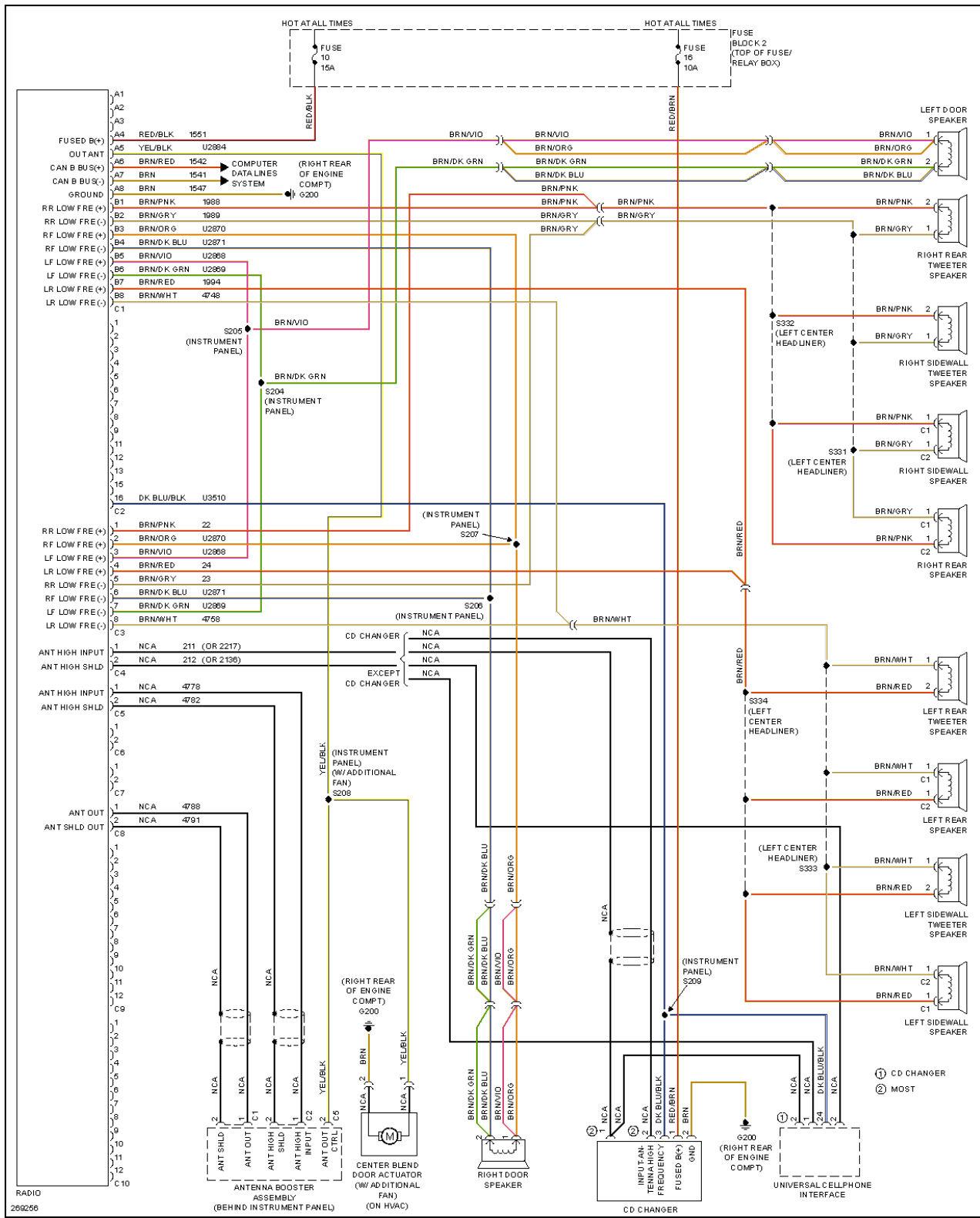


Fig. 55: Radio Circuit, Sound 5 W/O PreInstallation

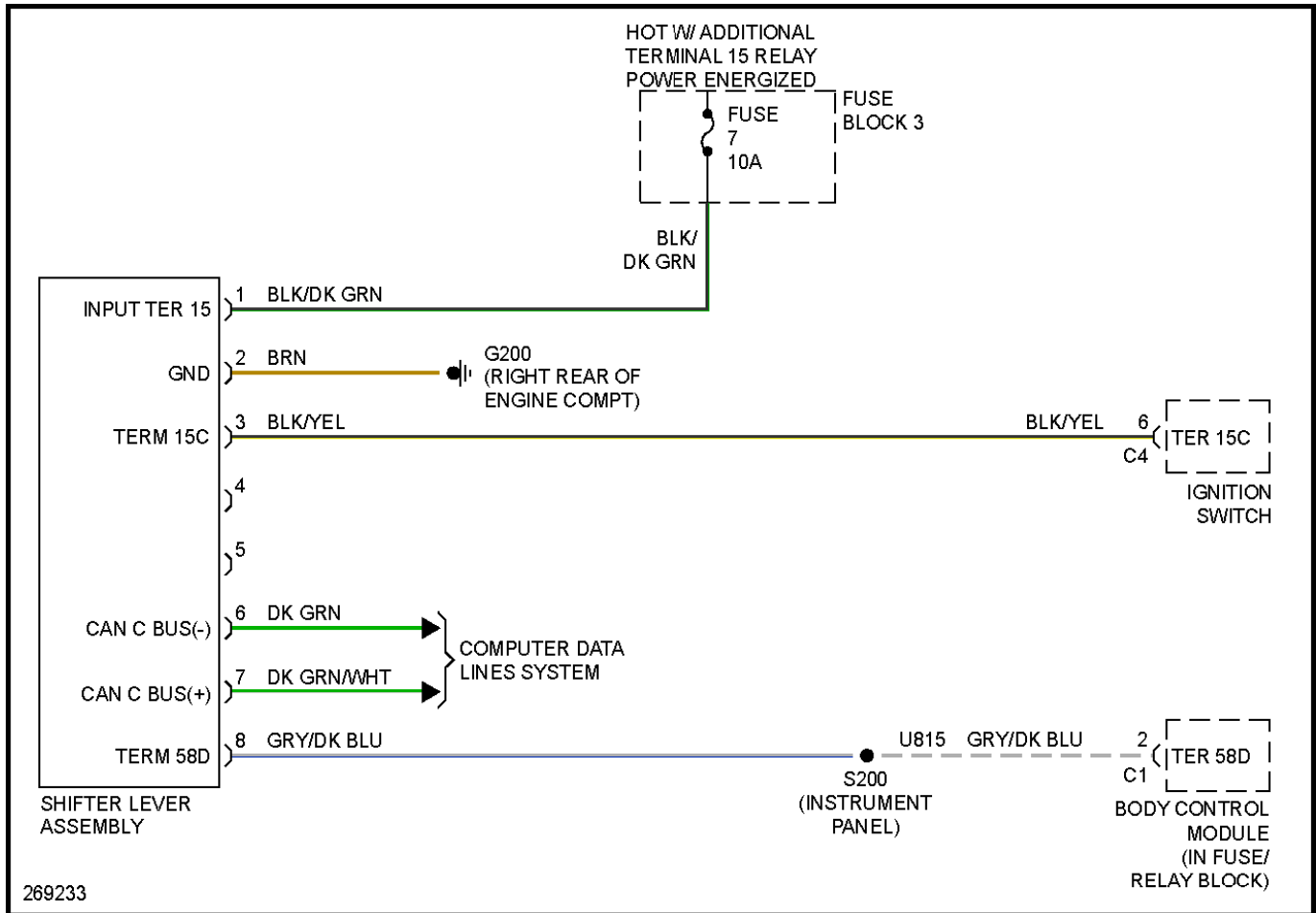


Fig. 56: Shift Interlock Circuit

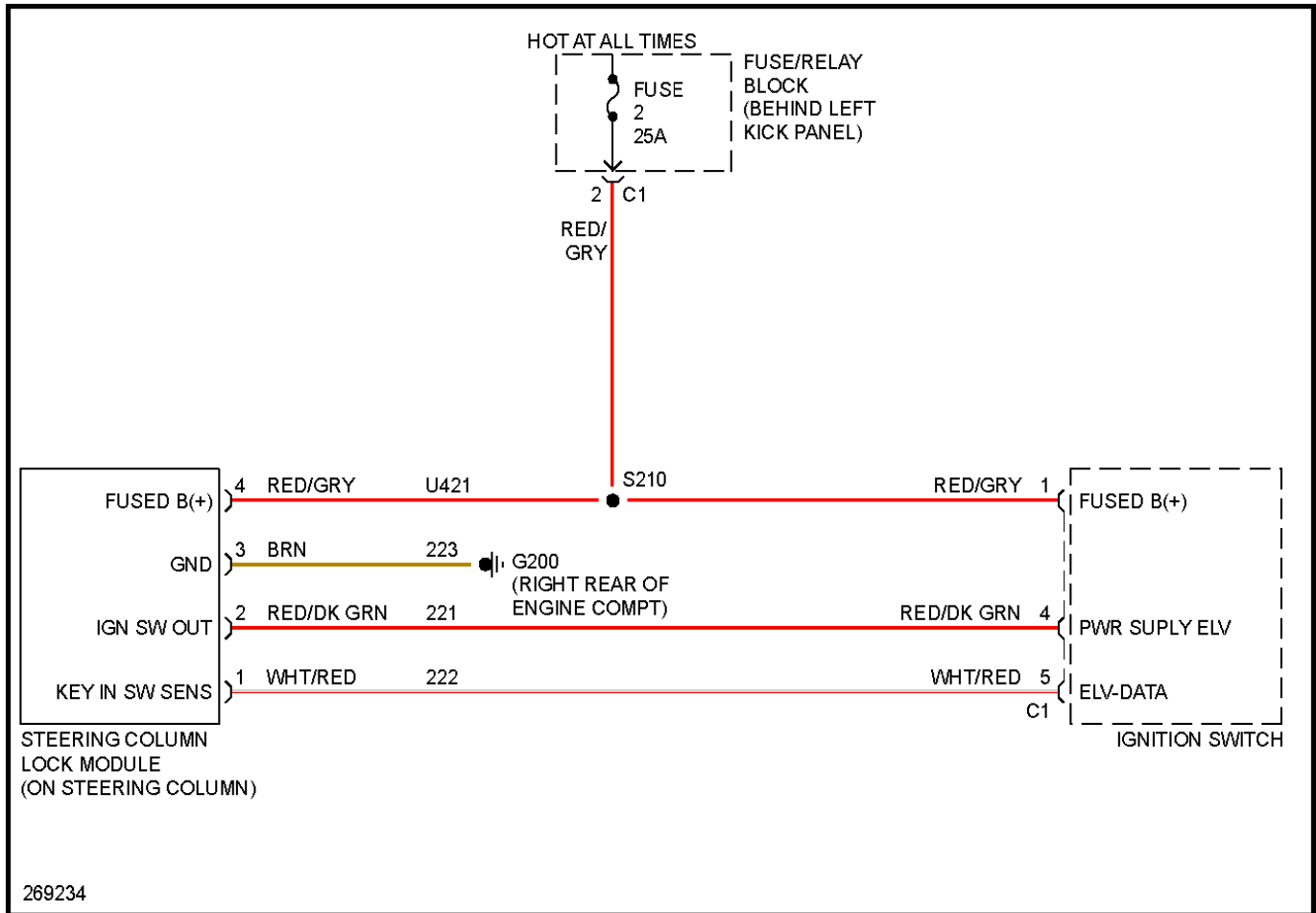


Fig. 57: Steering Column Circuit

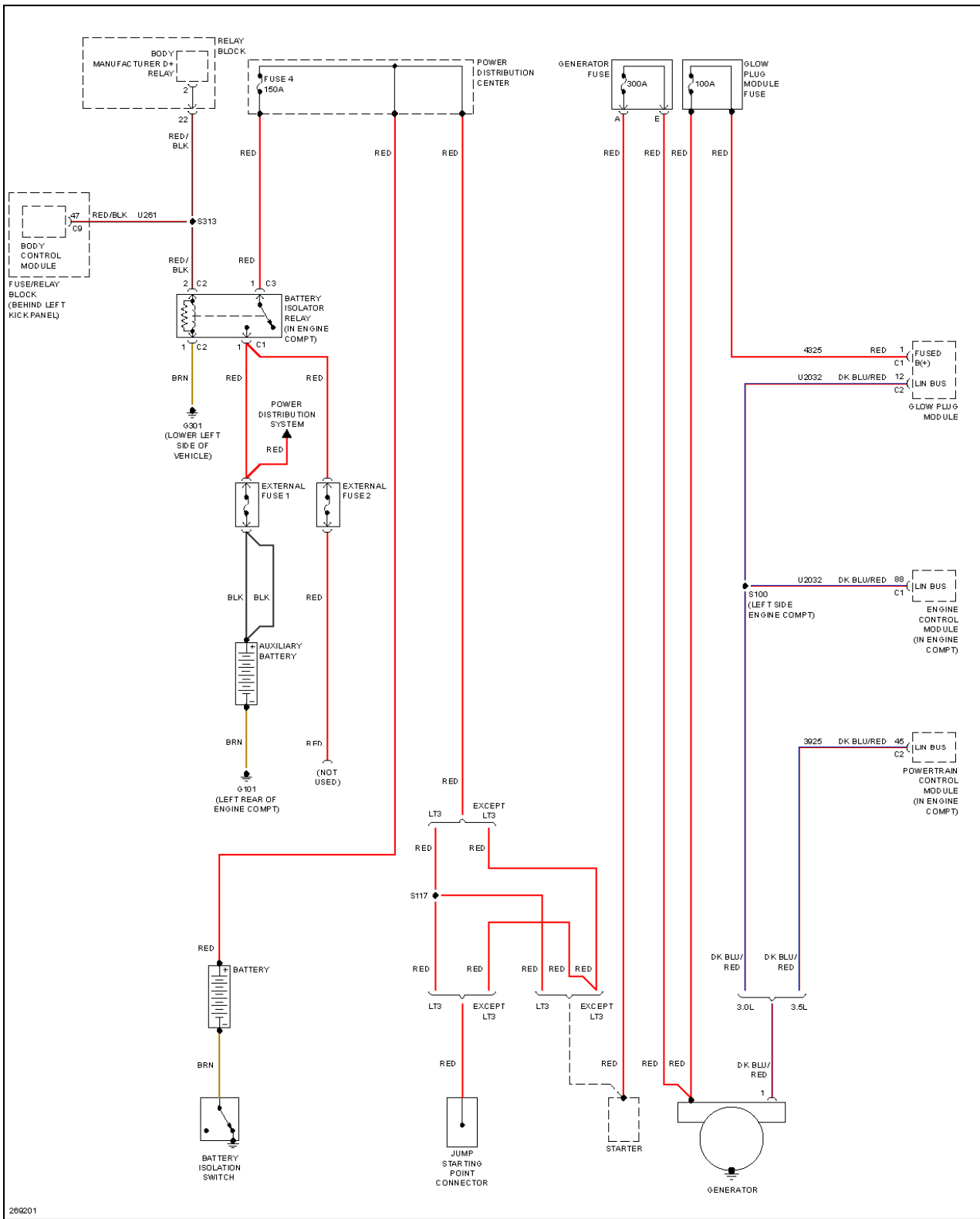


Fig. 58: Charging Circuit

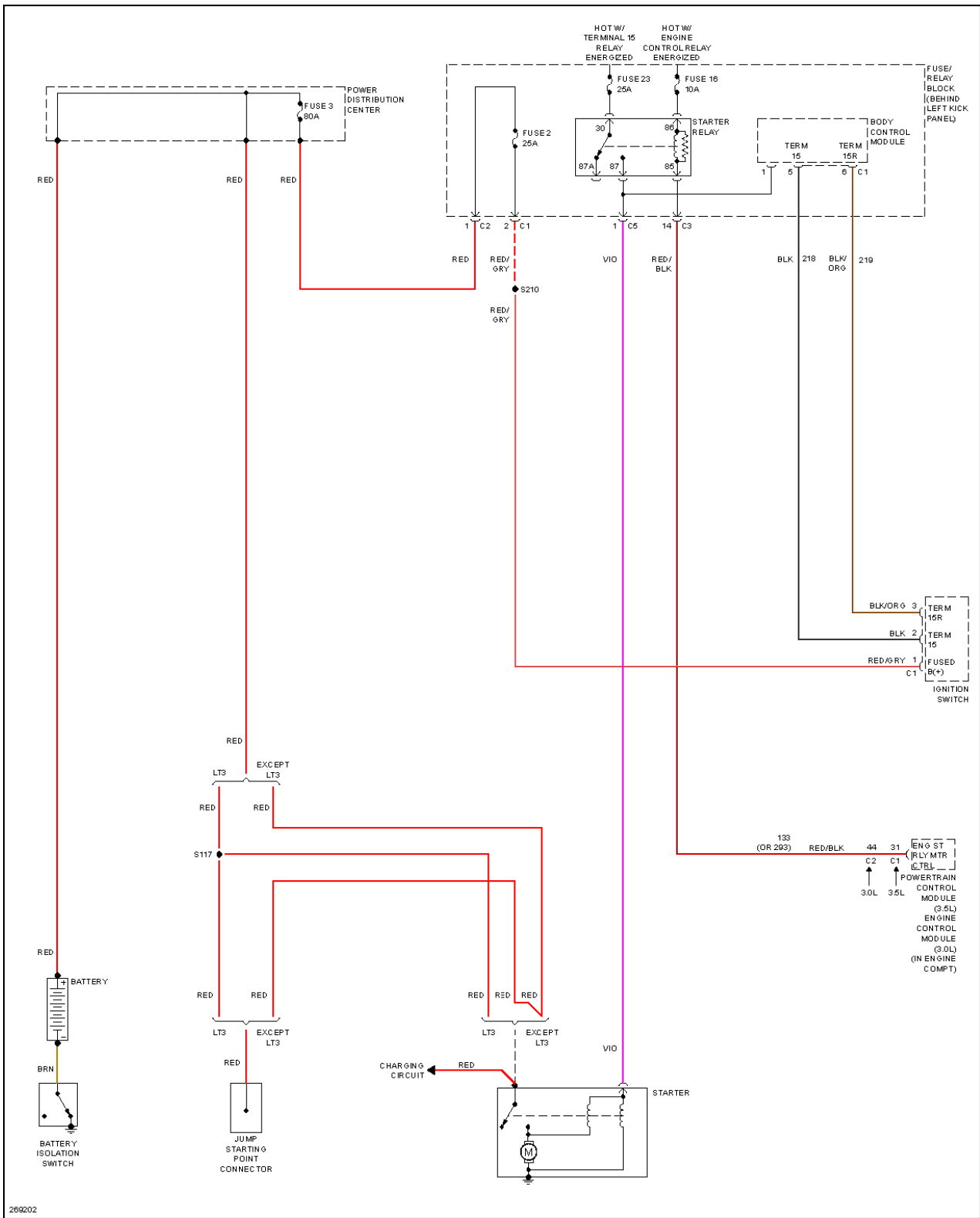


Fig. 59: Starting Circuit

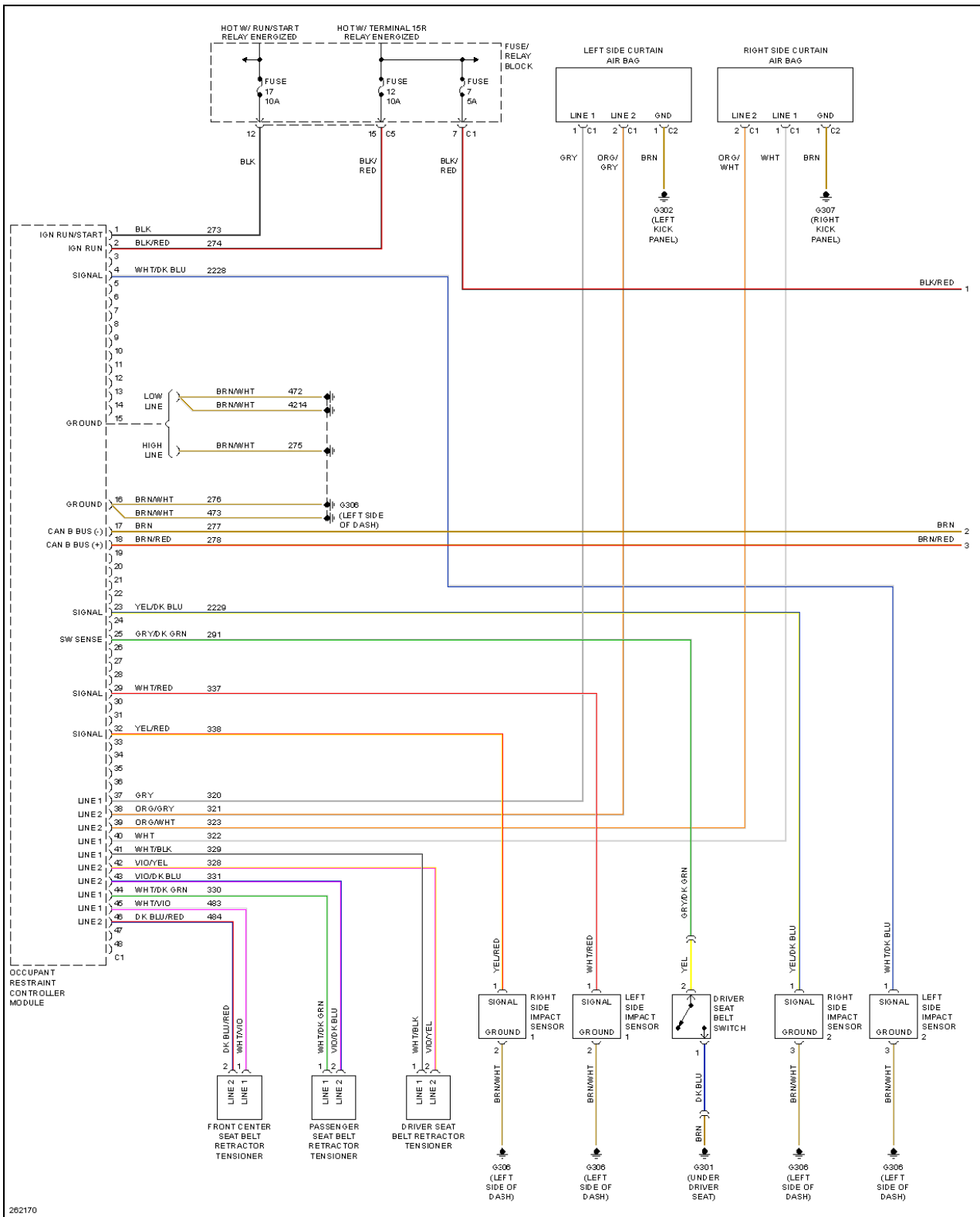


Fig. 60: Supplemental Restraints Circuit (1 of 2)

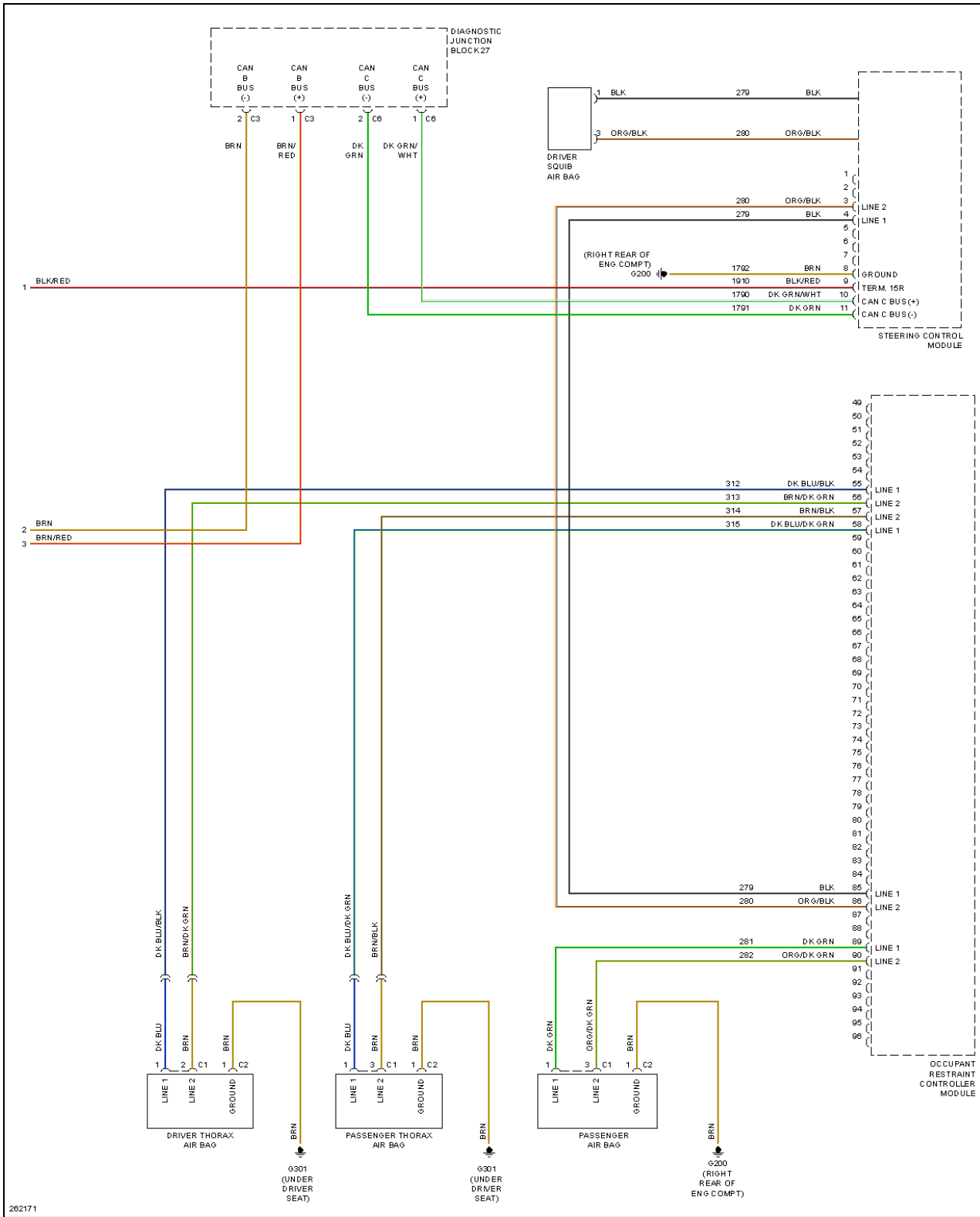


Fig. 61: Supplemental Restraints Circuit (2 of 2)

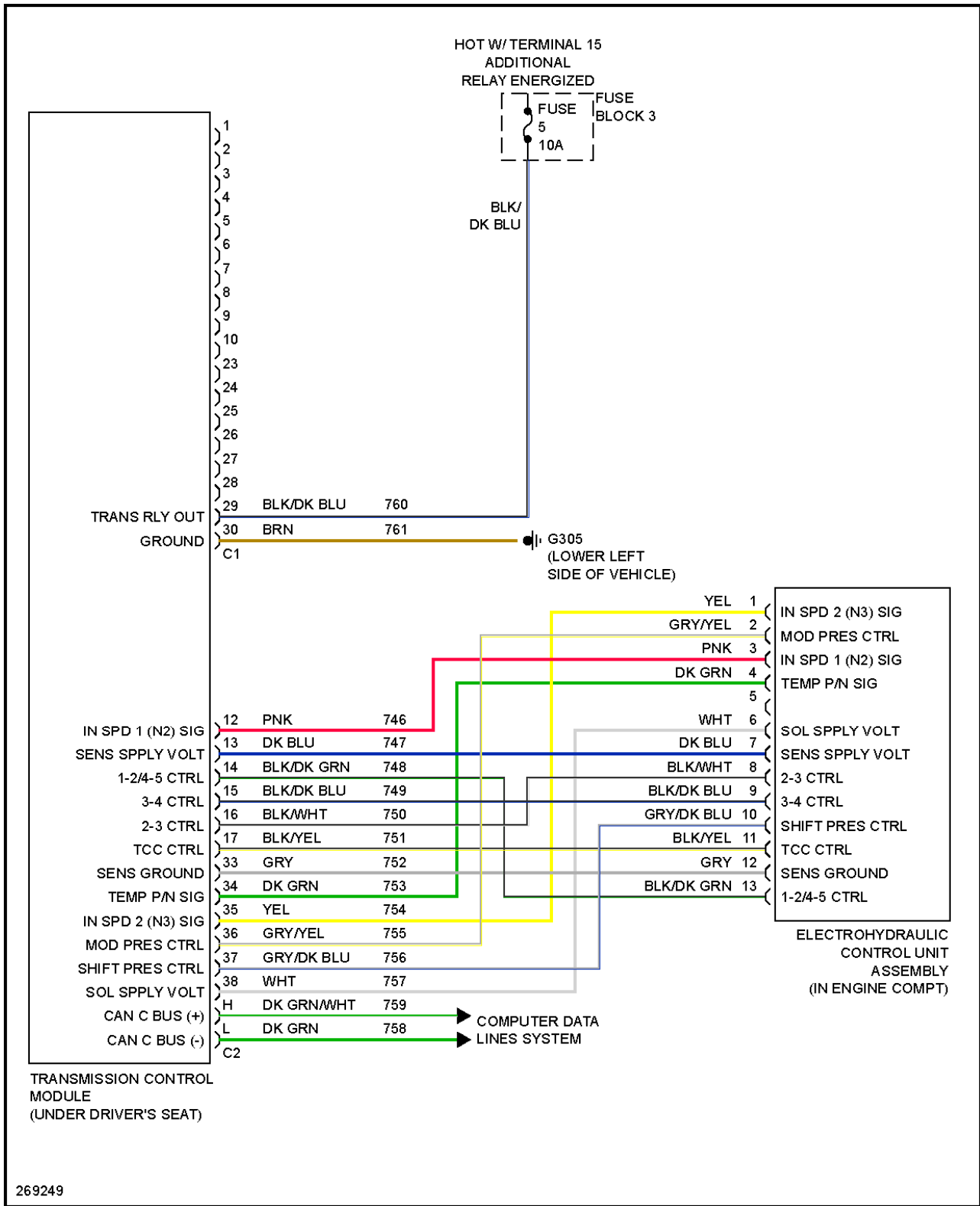


Fig. 62: Transmission Circuit

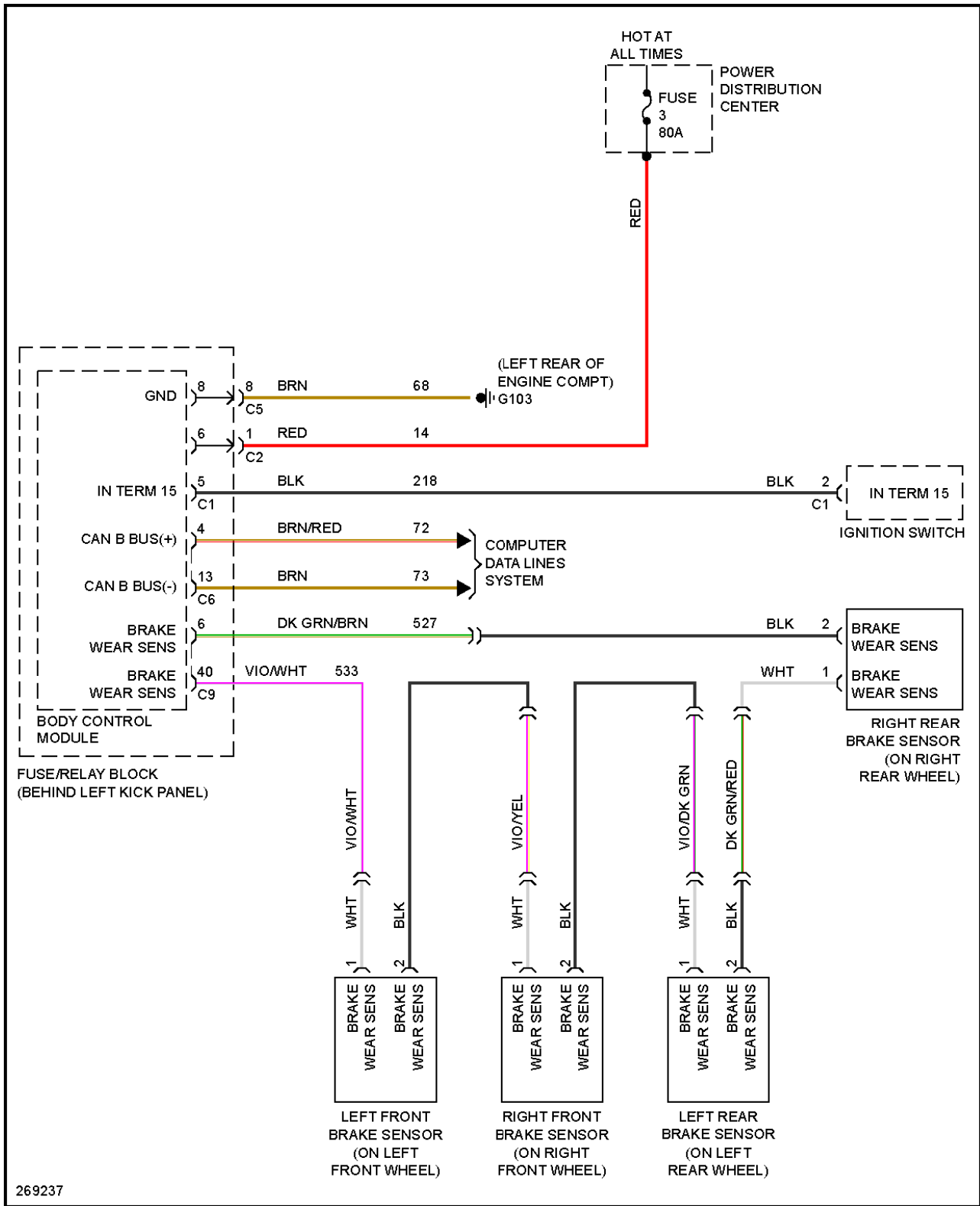


Fig. 63: Brake Wear Sensor Circuit

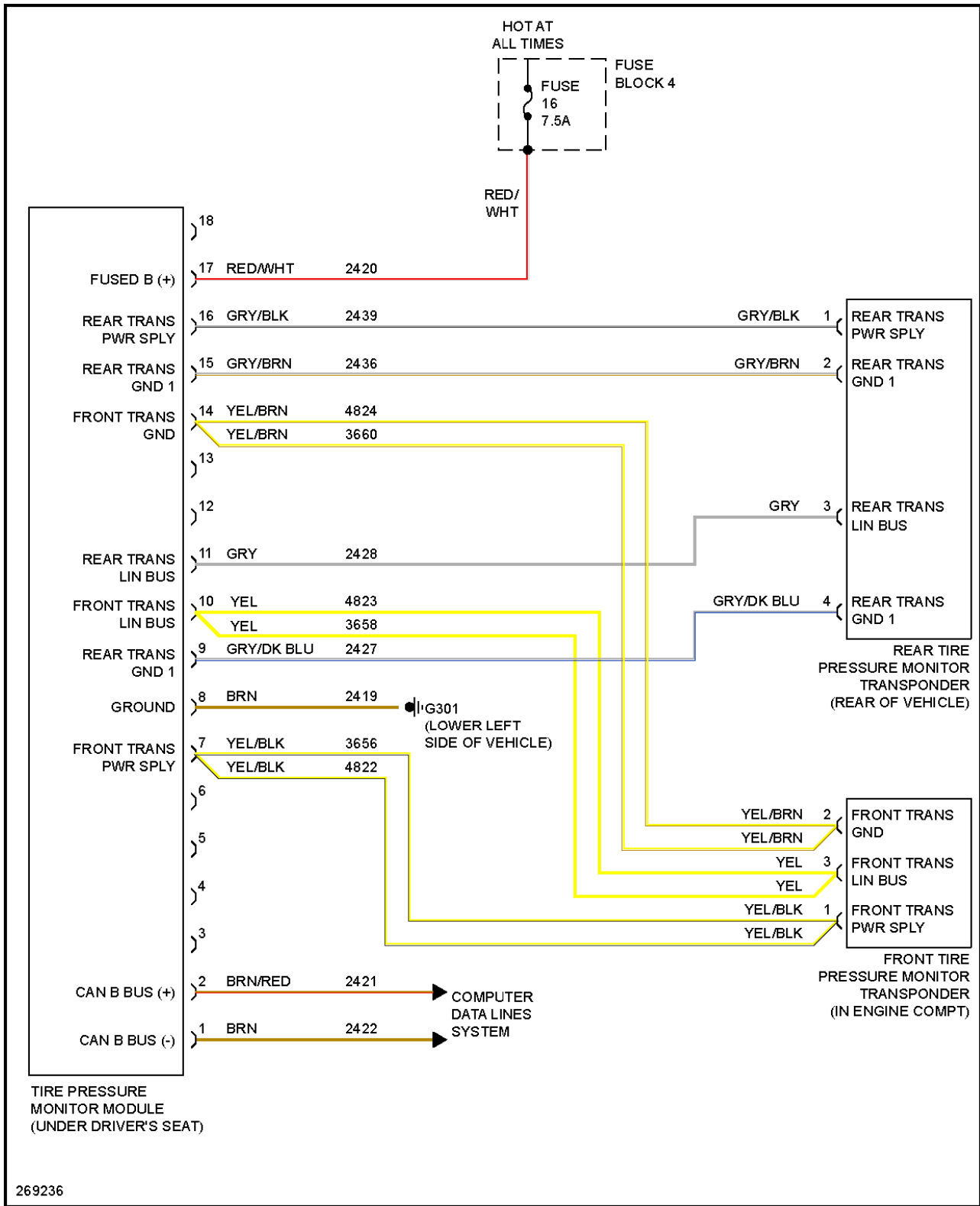
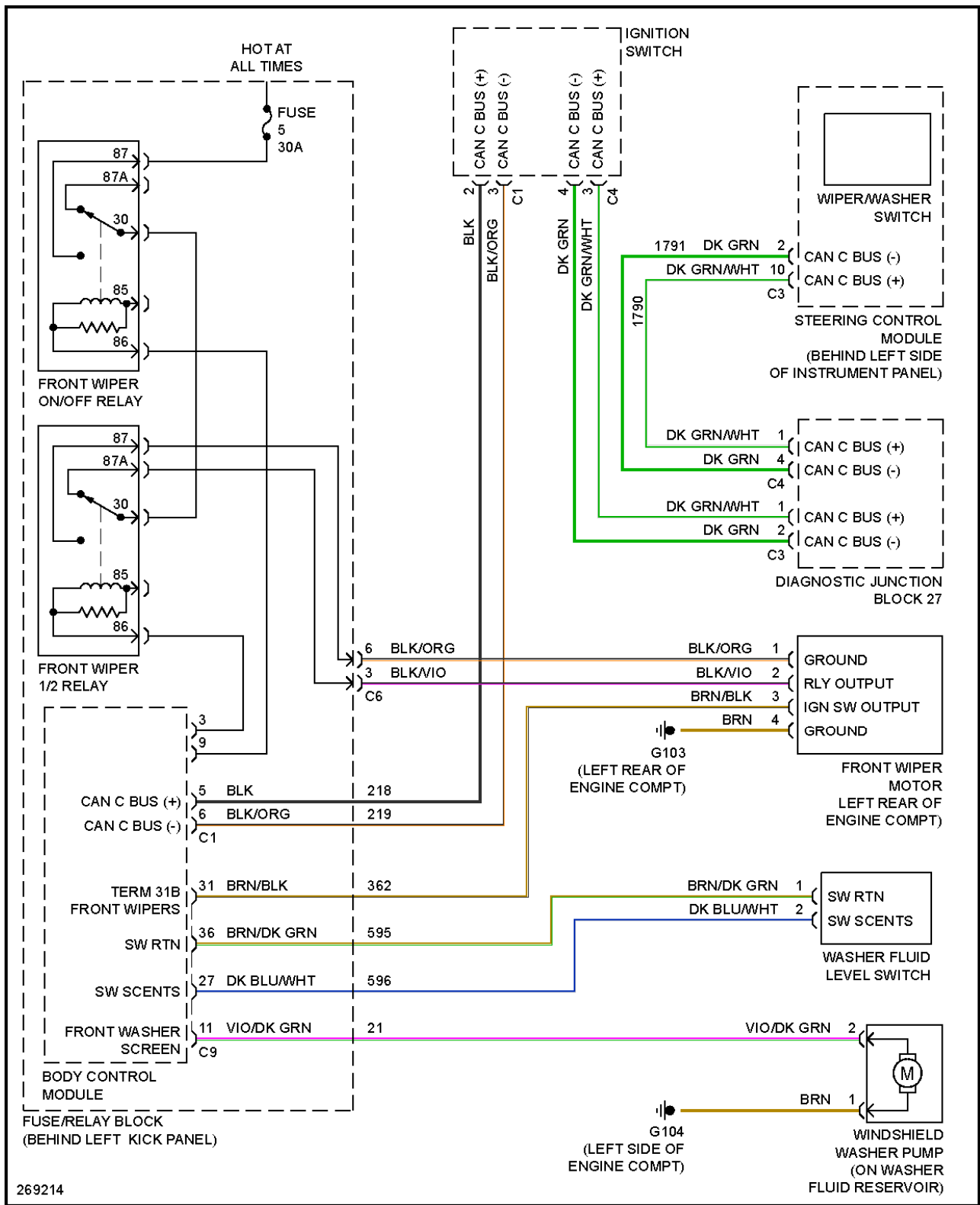


Fig. 64: Tire Pressure Monitoring Circuit



269214

Fig. 65: Front Wiper/Washer Circuit

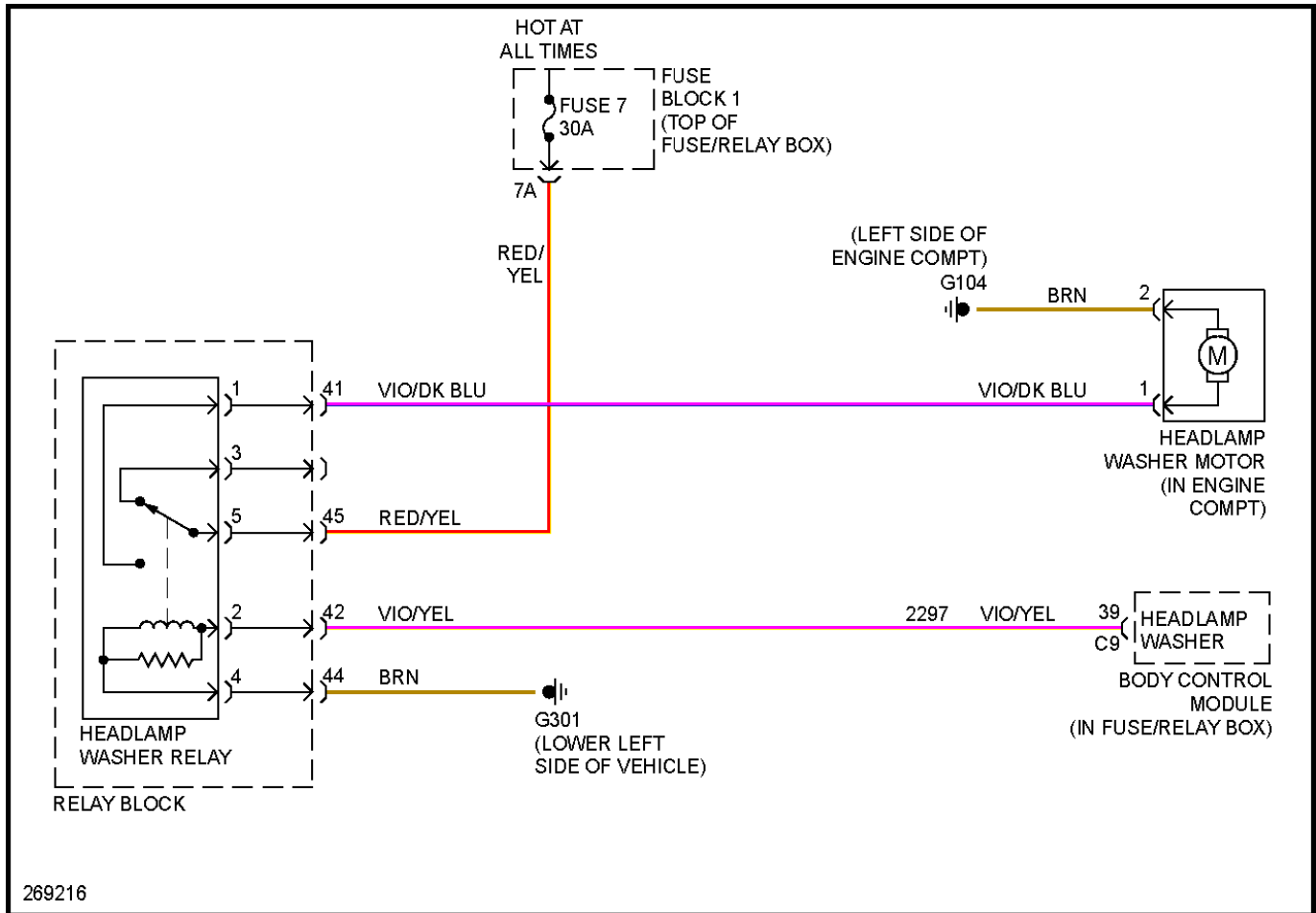


Fig. 66: Headlamp Washer Circuit

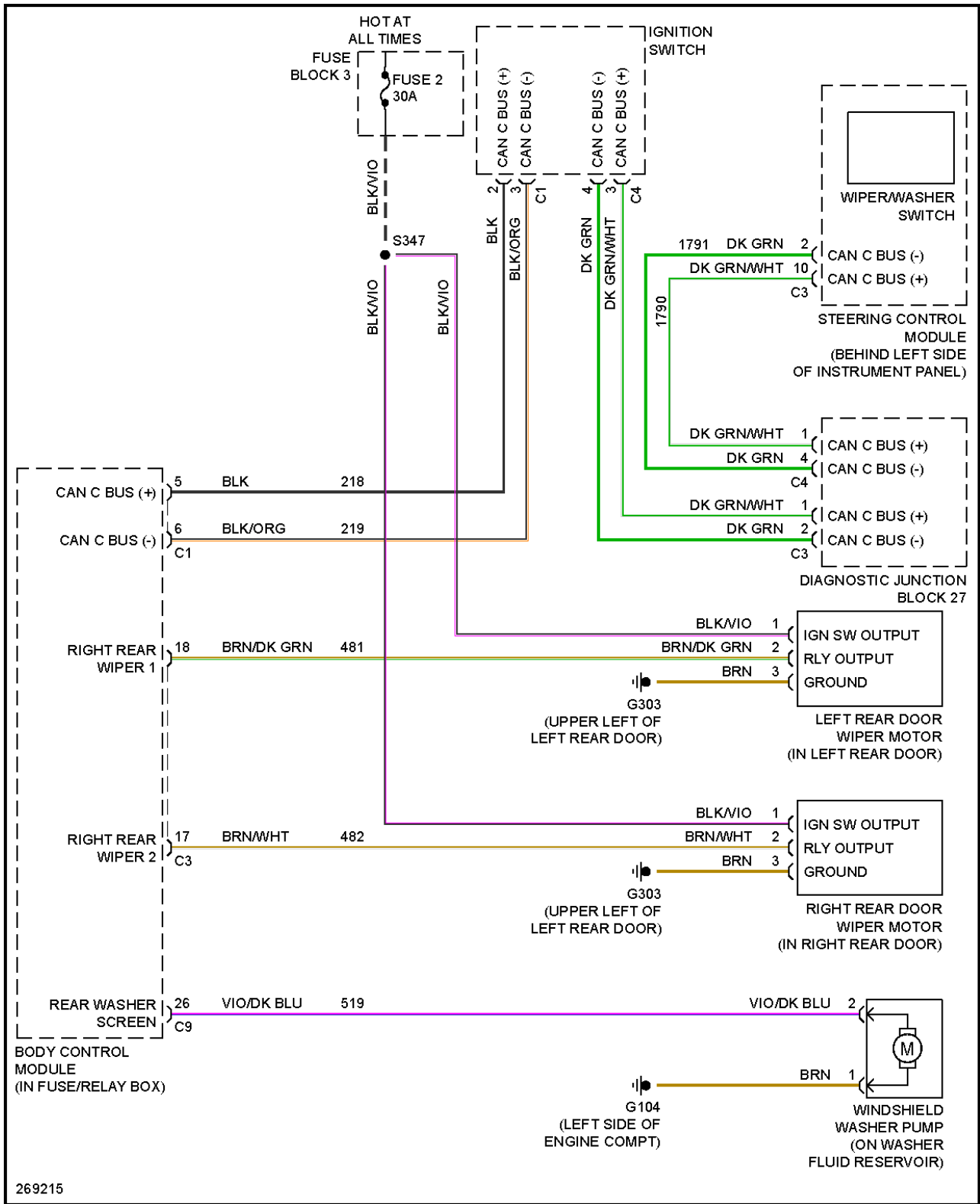


Fig. 67: Rear Wiper/Washer Circuit