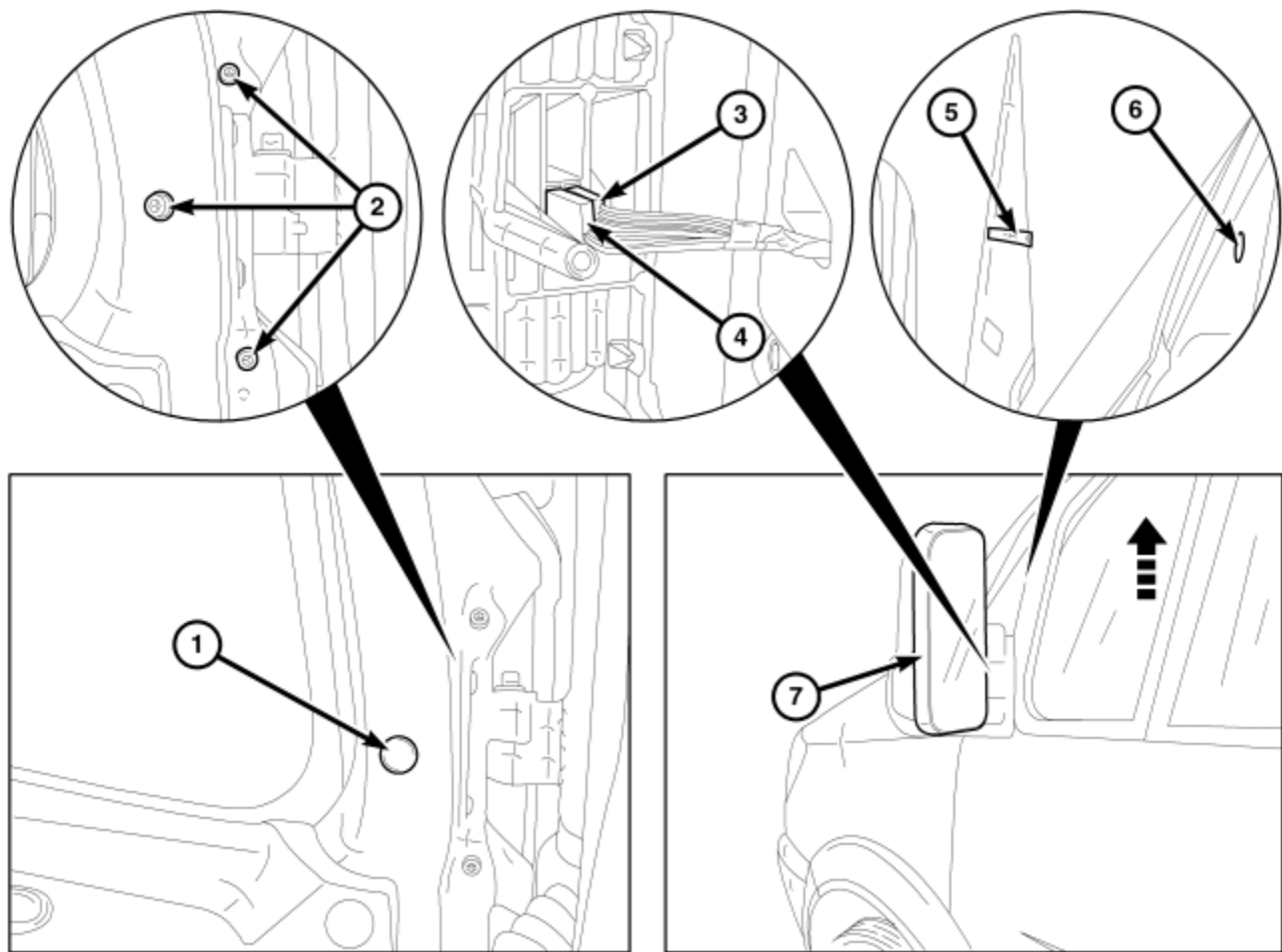


REMOVAL

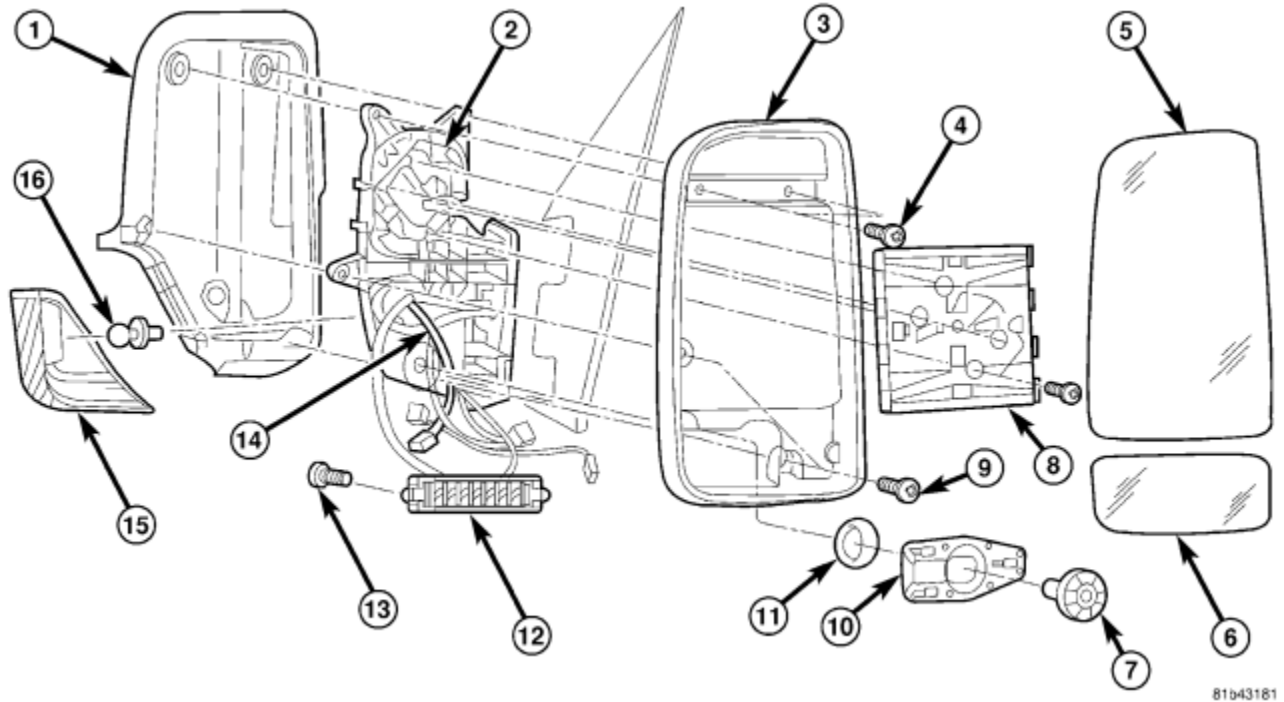
Mirror Removal



81b43158

1. Open the door and unclip cover (1).
2. Remove the bolts from the outside mirror (2).
3. Slide the mirror up and out of hook mount (6) and pull off of the vehicle door.
4. Disconnect the electrical connectors (3, 4).

Disassembly

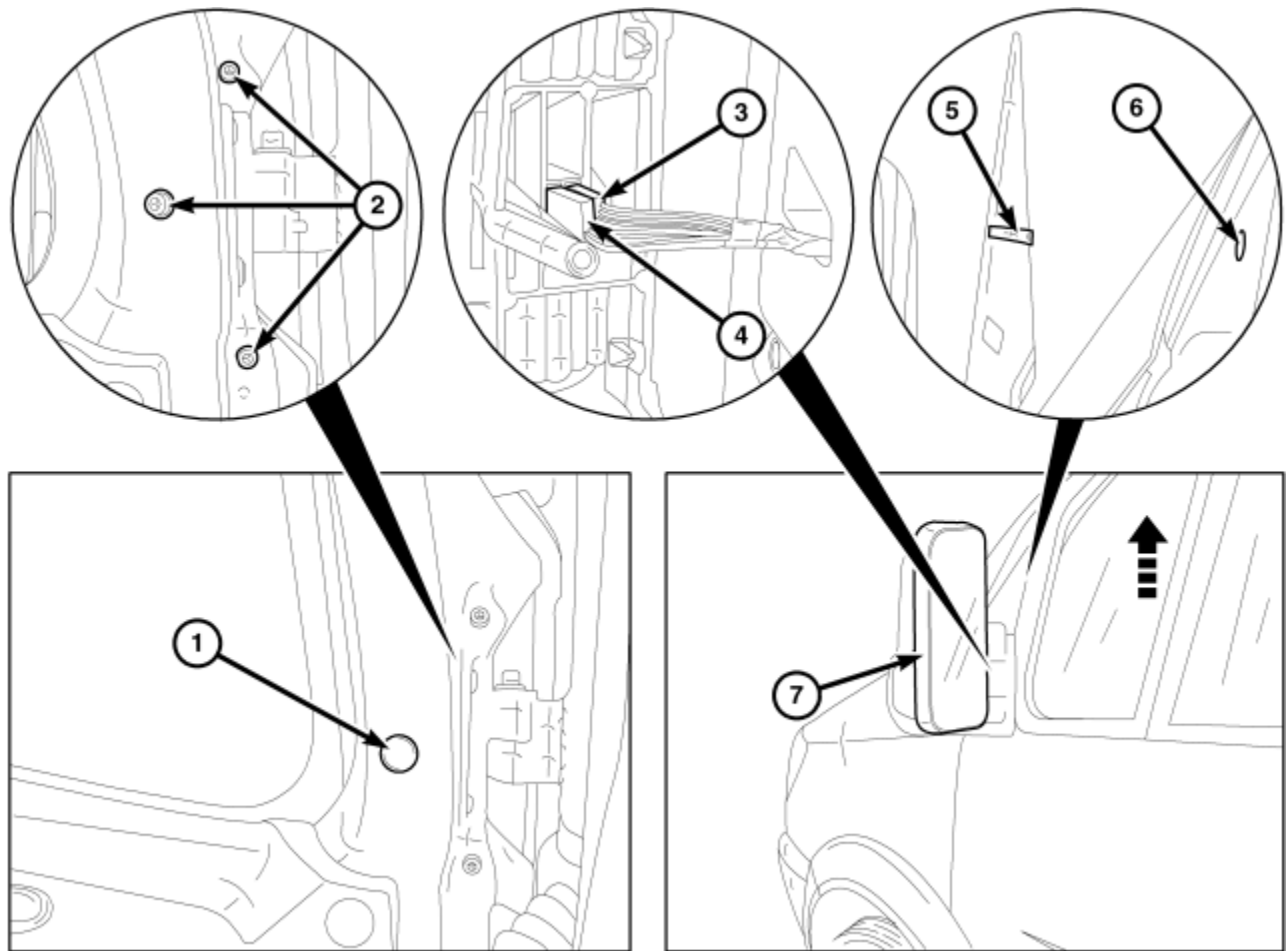


81b43181

1. Remove the mirror, [Mirror Removal](#).
2. Remove the mirror lens (5) and mirror lens for aspherical mirror (6), ([Refer to 23 - BODY/EXTERIOR/SIDE VIEW MIRROR - GLASS - REMOVAL](#)).
3. Remove mirror up/down adjustment motor and mirror in/out adjustment motor (8).
4. Remove the bolts (4) from mirror paneling (1).
5. Loosen plastic nut (7) on aspherical mirror by turning 90 degrees counterclockwise.
6. Remove the mirror mount (10) from aspherical mirror and intermediate disc (11).
7. Remove mirror frame (3).
8. Disconnect the electrical connector from the turn signal lamp.
9. Remove the mirror cover (1).
10. Unclip additional turn signal lamp lens (15) and remove.
11. Remove wiring harness (14).

INSTALLATION

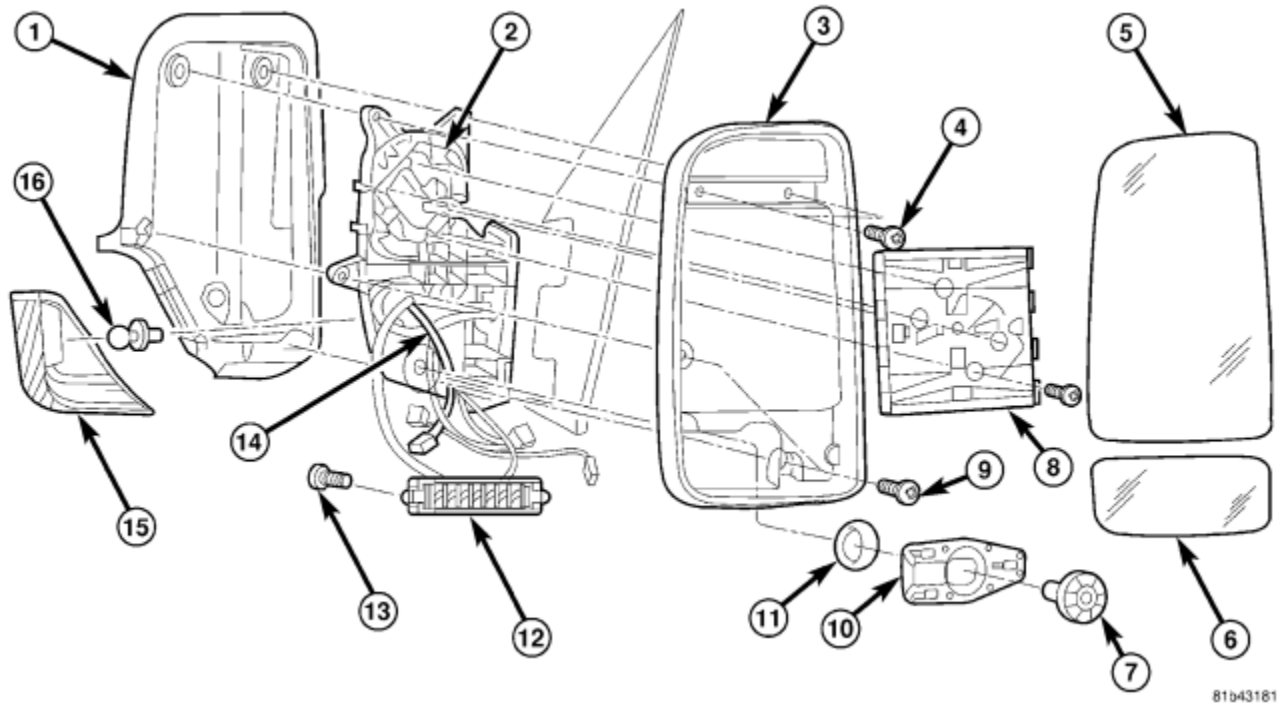
Mirror Installation



81b43158

1. Connect the electrical connectors (3, 4).
2. Install the mirror assembly (7) and insert the hook (5) into the hook mount (6).
3. Slide mirror down and seat fully.
4. Install the bolts (2) and tighten to 8 N·m (70 in. lbs.)
5. Install cover (1) and seat fully.

Assembly

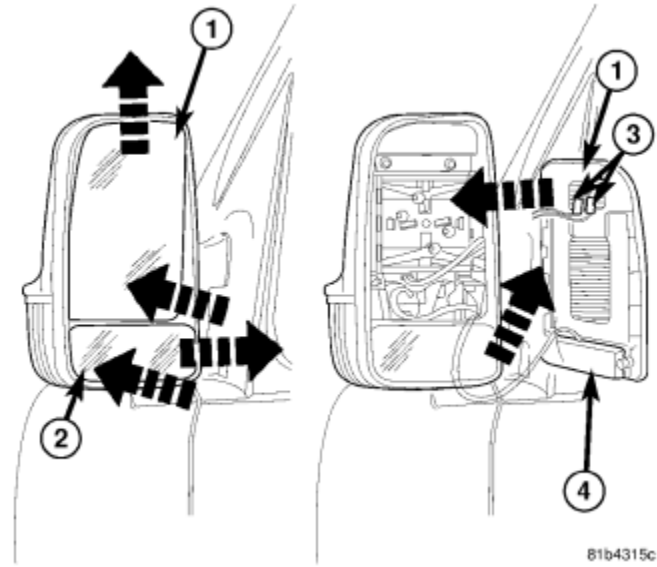


81b43181

1. Install wire harness (14).
2. Install the additional turn signal lamp lens (15) and seat fully.
3. Install the mirror cover (1).
4. Connect the electrical connector for the turn signal lamp (16).
5. Install the mirror frame (3).
6. Install the mirror mount (10) for the aspherical mirror (6) and intermediate disc (11).
7. Tighten the plastic nut (7) on the aspherical mirror by turning 90 degrees clockwise.
8. Install the bolts (4) for the mirror paneling (1).
9. Install the mirror up/down and in/out adjustment motor (8).
10. Install the mirror lens (5) and mirror lens for the aspherical mirror (6), ([Refer to 23 - BODY/EXTERIOR/SIDE VIEW MIRROR - GLASS - INSTALLATION](#)).
11. Install the mirror, [Mirror Installation](#).

REMOVAL

1. Press in mirror lens (1) at bottom (arrow).
2. Pull mirror lens (1) up and out of the guides (arrow).
3. Disconnect the electrical connector (3) for the mirror lens (1).
4. Remove the Parktronic LED module (4).
5. Press in aspherical mirror lens (2) on outer side up to stop (arrow).
6. Push out aspherical mirror lens (2) in direction of window (arrow).



81b4315c

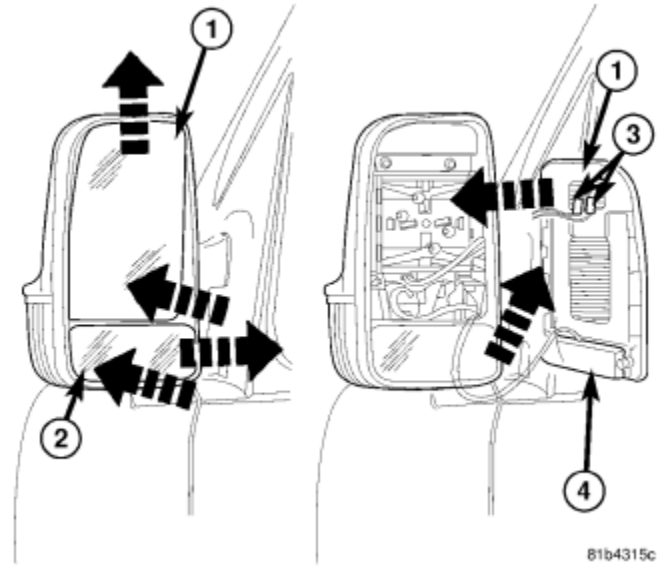
INSTALLATION

NOTE: The aspherical mirror lens (2) should be anchored securely in the guides.

1. Insert the aspherical mirror lens (2) into the housing and seat fully.
2. Install the Parktronic LED module (4) and install the screws.
3. Connect the electrical connectors (3).

NOTE: The mirror lens (1) should be anchored securely in the guides.

4. Install the mirror lens (1) and seat fully.



81b4315c